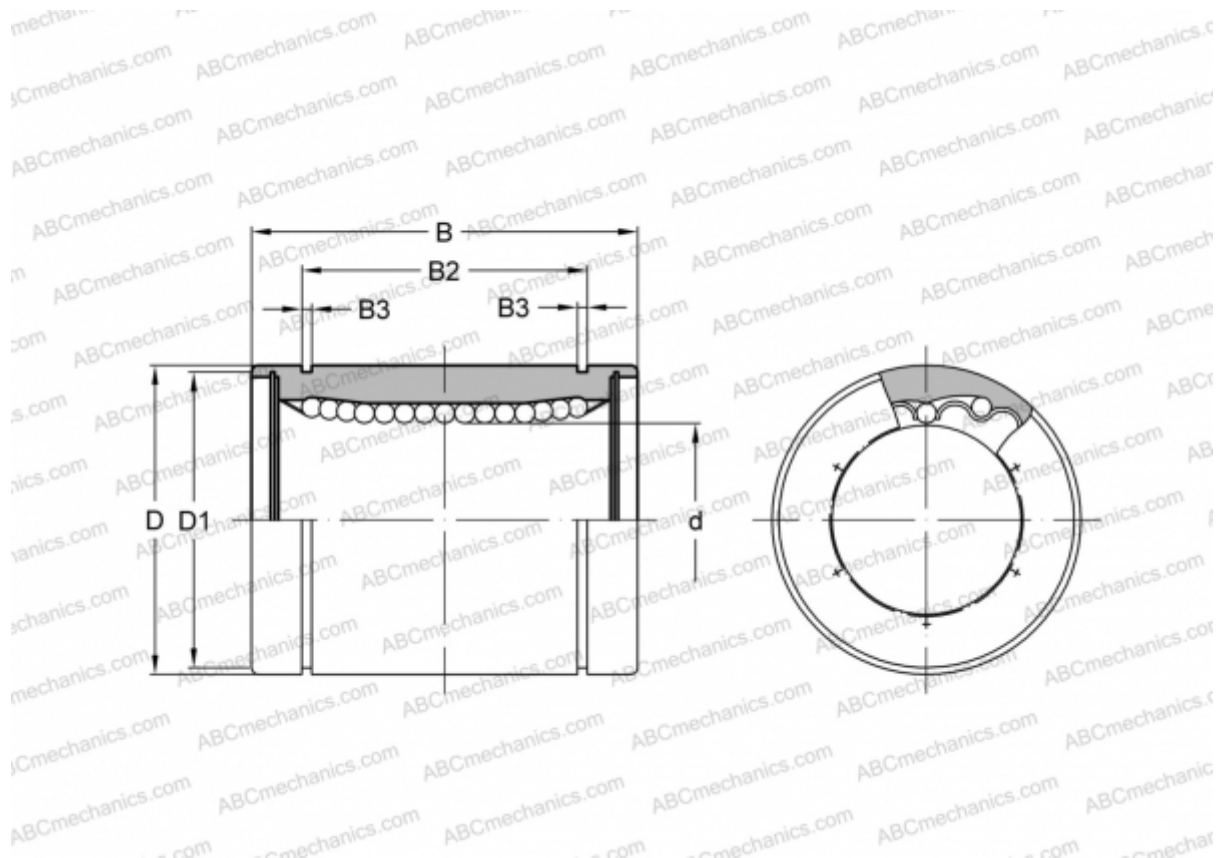


## SM 6G NB

Linear bushing

TYPE: Shaft guidance systems, Linear bushing, Standard, Close type, Type SM, Asian standard, Plastic cage (NB)



### Technical specification

#### DIMENSIONS, MM

d	6,000
D	12,000
B	19,000
D1	11,500
B2	13,500
B3	1,100

**WEIGHT, KG** 0,009

**MANUFACTURER** [NB](#)