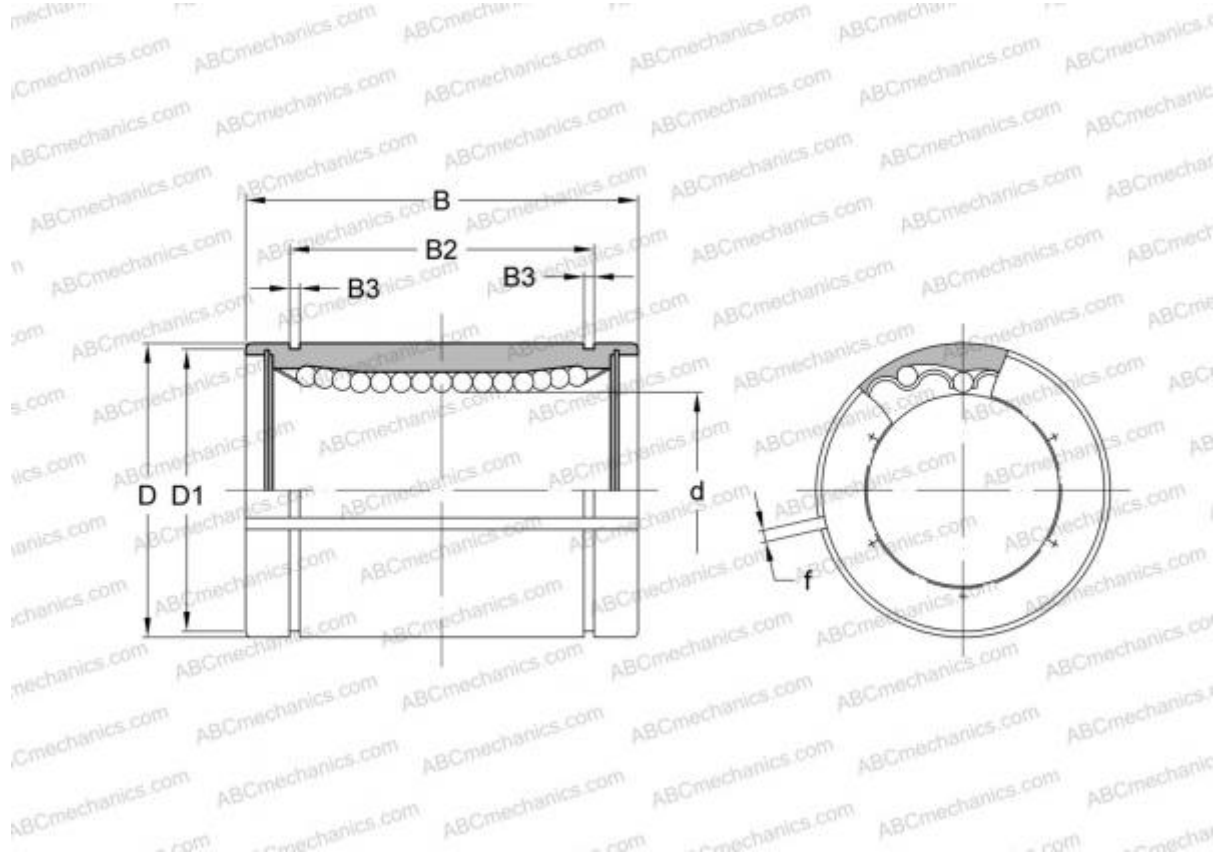


0610-305-00 STAR

Linear bushing

TYPE: Shaft guidance systems, Linear bushing, Standard, Adjustable type, Type LBE..AJ



Technical specification

DIMENSIONS, MM

d	5,000
D	12,000
B	22,000
f	1,500

WEIGHT 0,008

MANUFACTURER [STAR](#)

INTERCHANGE

ABC	LBE 5 AJ
IKO	LBE 5 AJ
SKF	LBAS 5