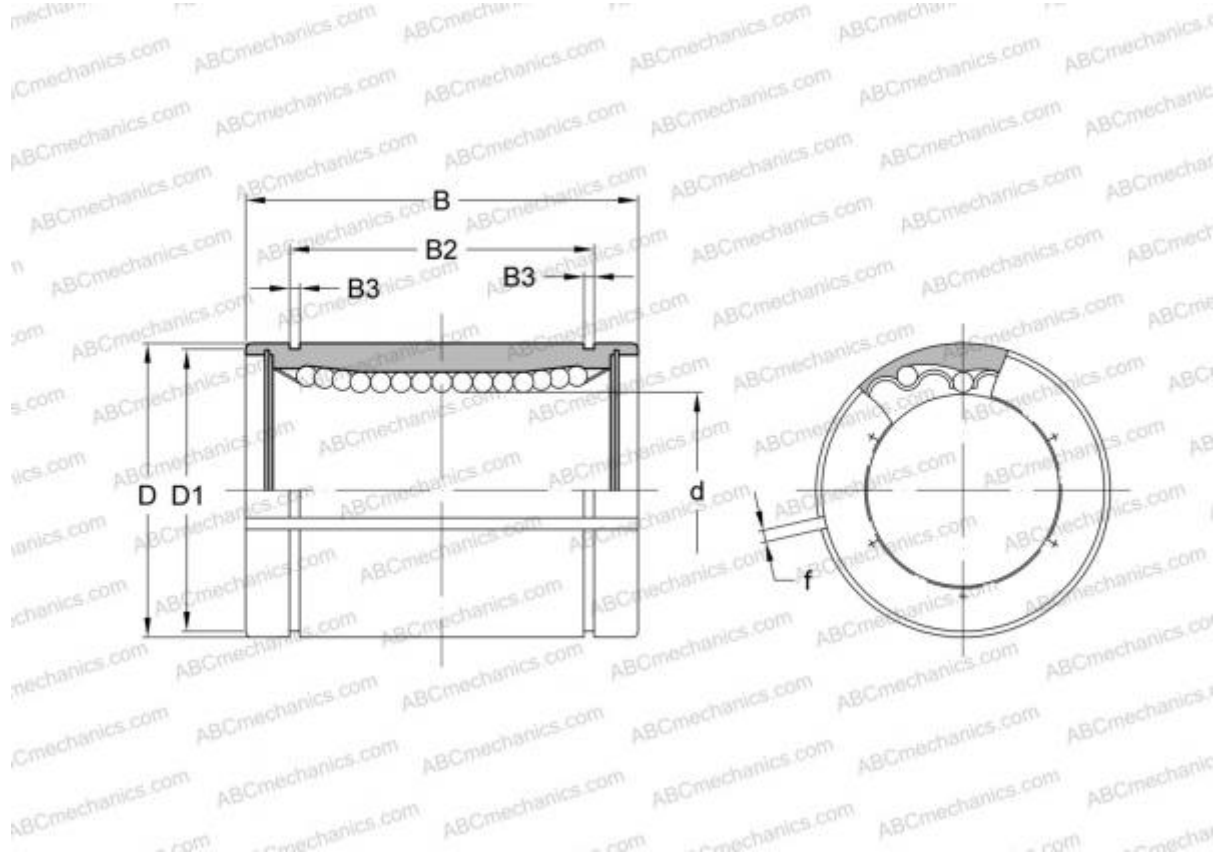


LAG 8x16x25 FAG

Linear bushing

TYPE: Shaft guidance systems, Linear bushing, Standard, Adjustable type, Type LBE..AJ



Technical specification

DIMENSIONS, MM

d	8,000
D	16,000
B	25,000
f	1,500

WEIGHT 0,017

MANUFACTURER [FAG](#)

INTERCHANGE

ABC	LBE 8 AJ
IKO	LBE 8 AJ
STAR	0610-308-00
SKF	LBAS 8