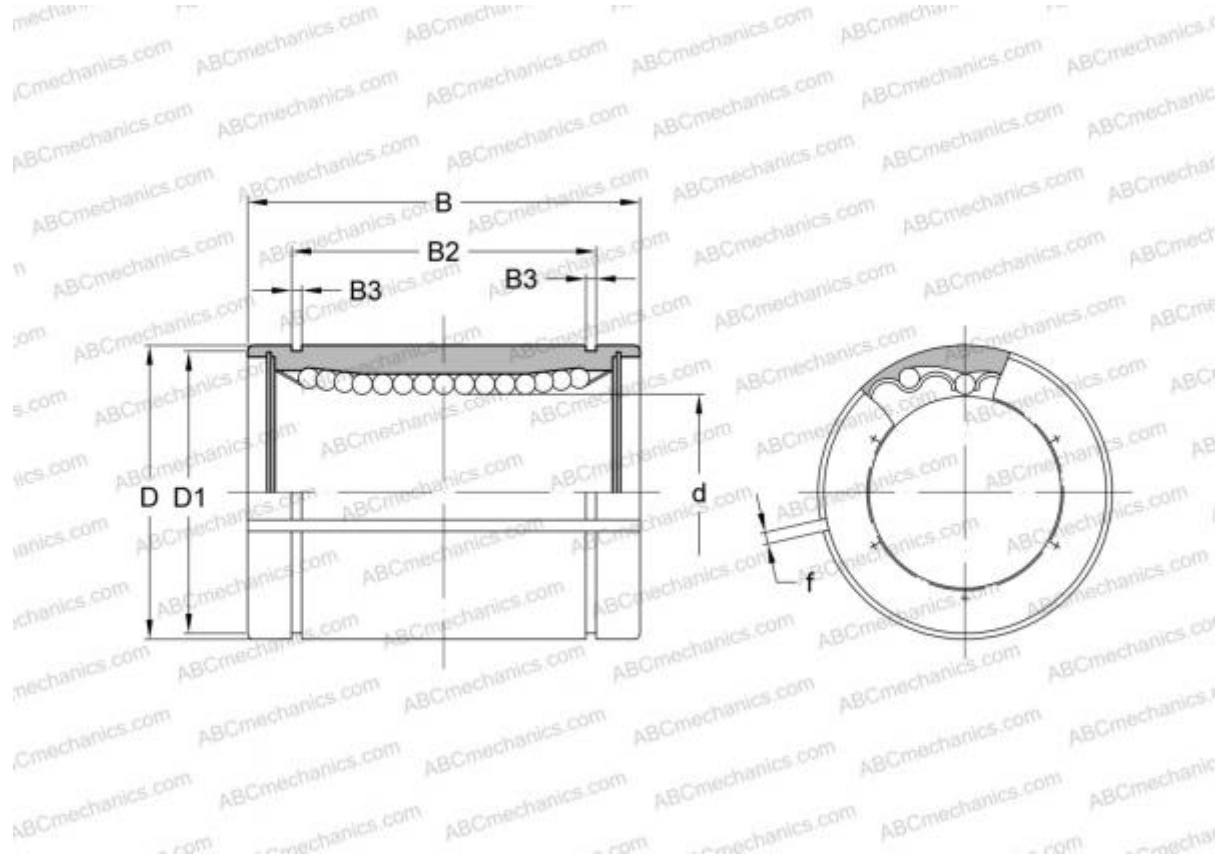


LBE 16 AJ IKO

Linear bushing

TYPE: Shaft guidance systems, Linear bushing, Standard, Adjustable type, Type LBE..AJ



Technical specification

DIMENSIONS, MM

d	16,000
D	26,000
B	36,000
f	1,500

WEIGHT, KG 0,047

MANUFACTURER [IKO](#)

INTERCHANGE

ABC	LBE 16 AJ
STAR	0610-016-00
THOMSON	0610-016-00
INA	KBS 1636
FAG	LAG 16x26x36

CALCULATION DATA

Basic dynamic load rating min	0,311 kN
Basic dynamic load rating max	0,357 kN
Basic static load rating min	0,587 kN
Basic static load rating max	0,830 kN