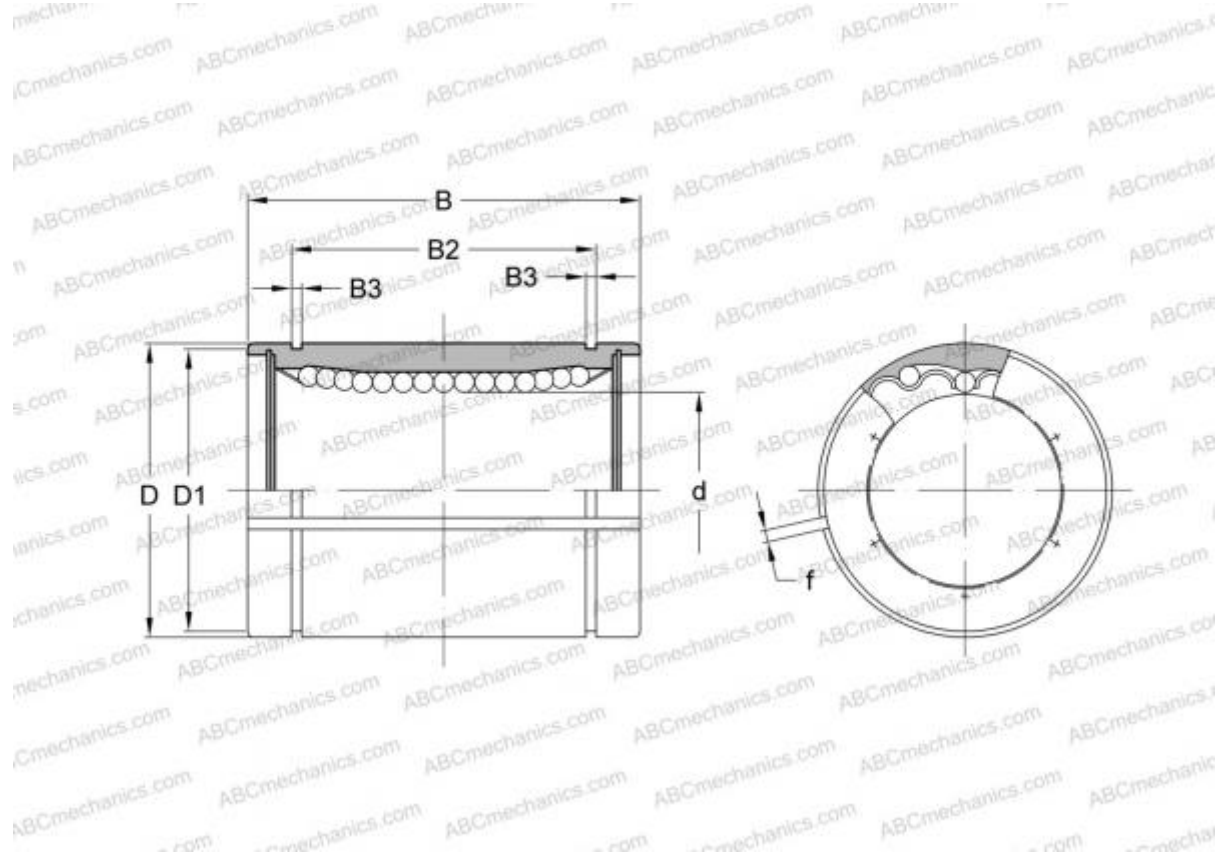


0610-030-00 STAR

Linear bushing

TYPE: Shaft guidance systems, Linear bushing, Standard, Adjustable type, Type LBE..AJ



Technical specification

DIMENSIONS, MM

d	30,000
D	47,000
B	68,000
f	2,000

WEIGHT, KG 0,300

MANUFACTURER [STAR](#)

INTERCHANGE

ABC	LBE 30 AJ
IKO	LBE 30 AJ
THOMSON	0610-030-00
INA	KBS 3068
FAG	LAG 30x47x68