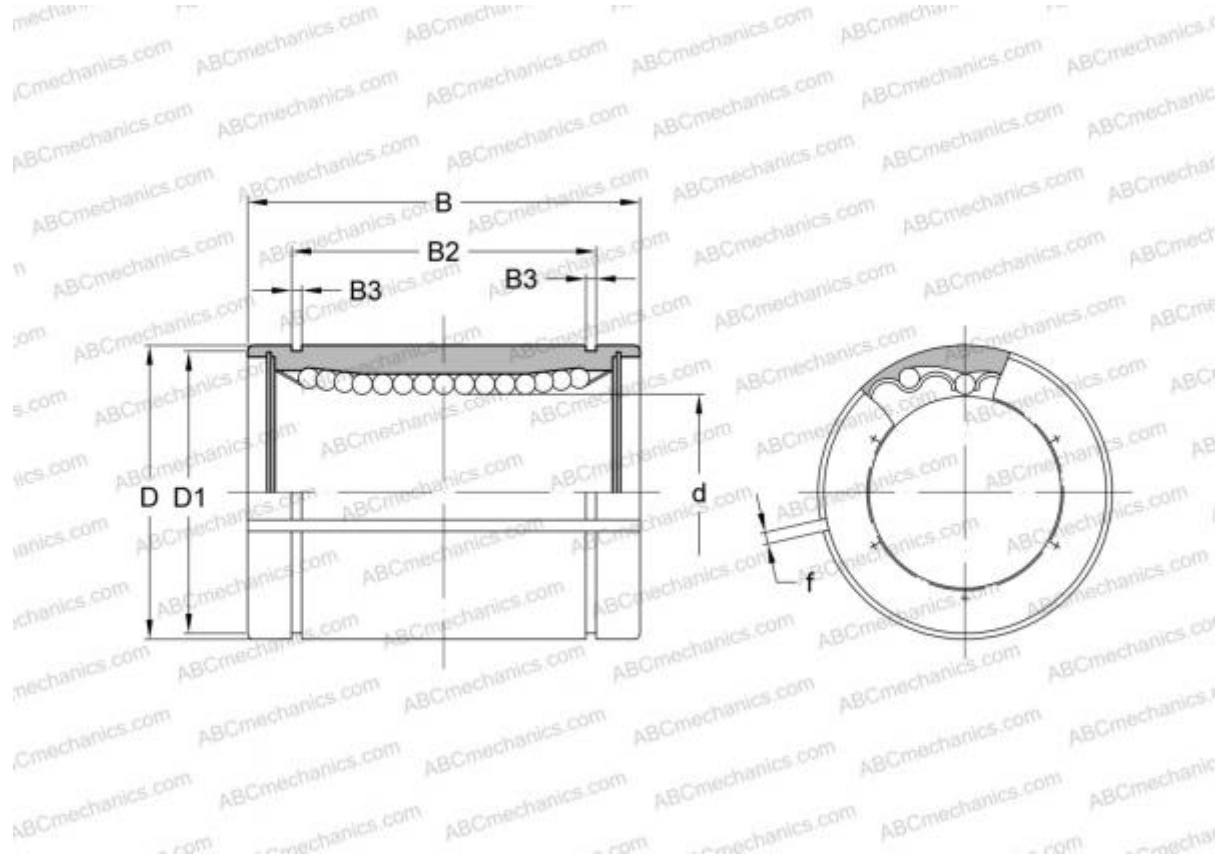


## LBE 50 AJ IKO

Linear bushing

TYPE: Shaft guidance systems, Linear bushing, Standard, Adjustable type, Type LBE..AJ



### Technical specification

#### DIMENSIONS, MM

d	50,000
D	75,000
B	100,000
f	2,000

**WEIGHT** 0,925

**MANUFACTURER** [IKO](#)

#### INTERCHANGE

ABC	<a href="#">LBE 50 AJ</a>
STAR	<a href="#">0610-050-00</a>
THOMSON	<a href="#">0610-050-00</a>
INA	<a href="#">KBS 50100</a>
FAG	<a href="#">LAG 50x75x100</a>

#### CALCULATION DATA

Basic dynamic load rating min	3,940 kN
Basic dynamic load rating max	4,180 kN
Basic static load rating min	7,130 kN
Basic static load rating max	9,120 kN