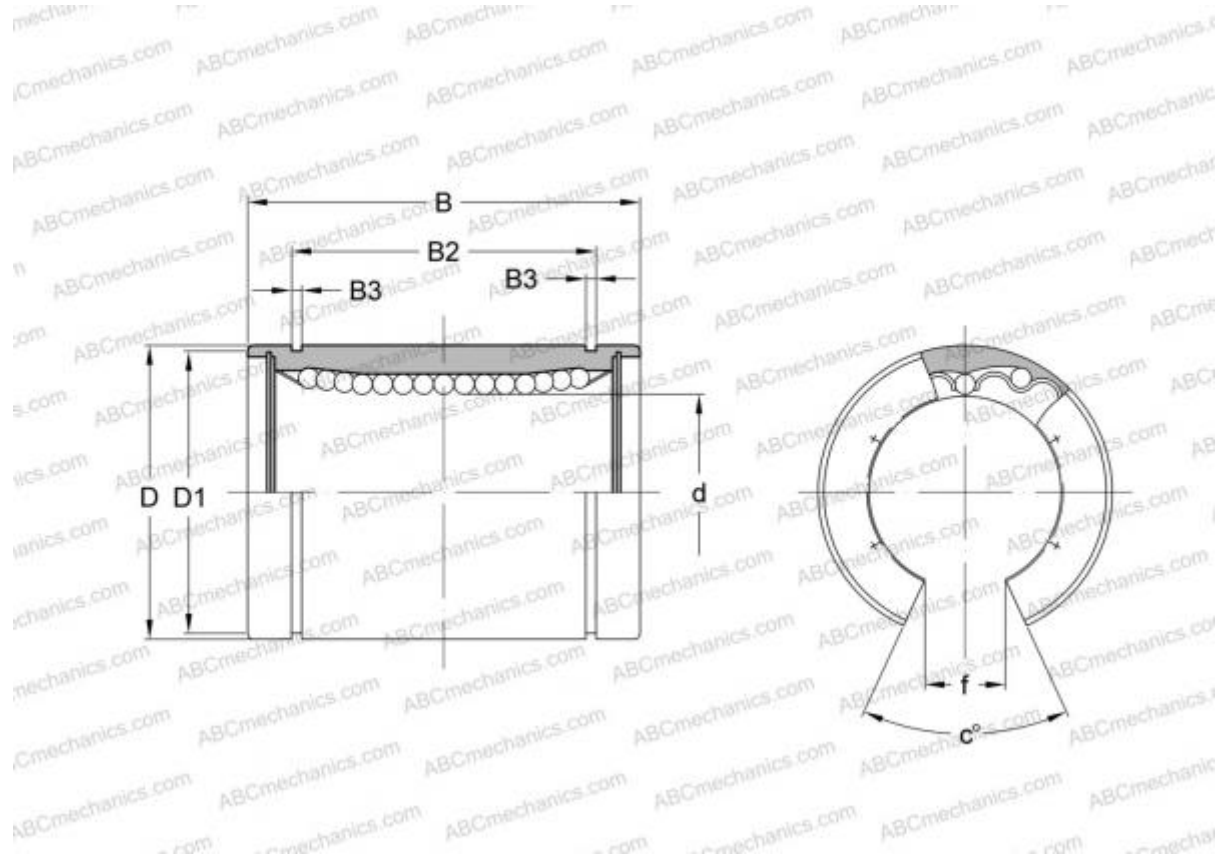


## LBE 12 OP IKO

Linear bushing

TYPE: Shaft guidance systems, Linear bushing, Standard, Open type for support rail, Type LBE..OP



### Technical specification

#### DIMENSIONS, MM

d	12,000
D	22,000
B	32,000
f	7,500
c	78,000

**WEIGHT, KG** 0,030

**MANUFACTURER** [IKO](#)

#### INTERCHANGE

ABC	<a href="#">LBE 12 OP</a>
STAR	<a href="#">0630-012-00</a>
THOMSON	<a href="#">0630-012-00</a>
INA	<a href="#">KBO 1232</a>
SKF	<a href="#">LBCT 12</a>

#### INTERCHANGE

FAG [LAN 12x22x32](#)

#### CALCULATION DATA

Basic dynamic load rating min	0,284 kN
Basic dynamic load rating max	0,327 kN
Basic static load rating min	0,575 kN
Basic static load rating max	0,813 kN