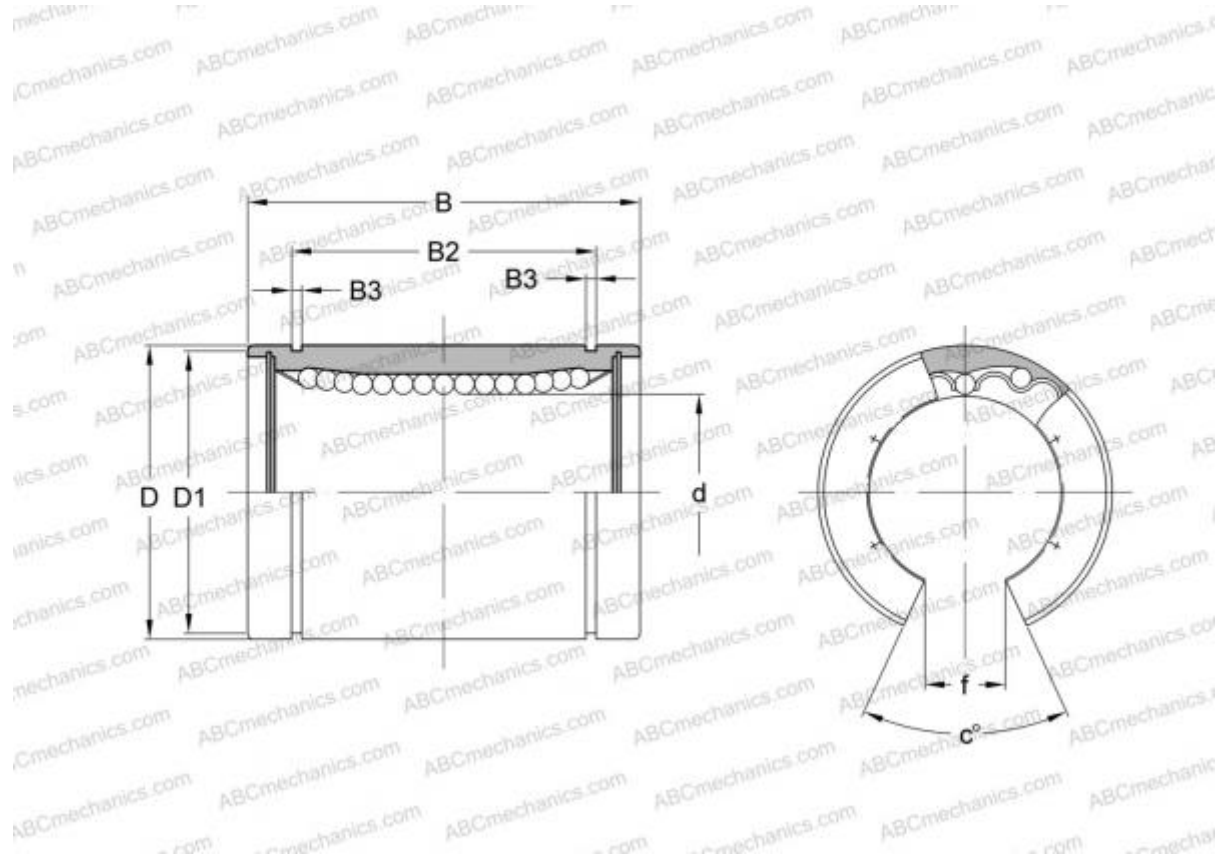


LBE 16 OP IKO

Linear bushing

TYPE: Shaft guidance systems, Linear bushing, Standard, Open type for support rail, Type LBE..OP



Technical specification

DIMENSIONS, MM

d	16,000
D	26,000
B	36,000
f	10,000
c	78,000

WEIGHT, KG 0,038

MANUFACTURER [IKO](#)

INTERCHANGE

ABC	LBE 16 OP
STAR	0630-016-00
THOMSON	0630-016-00
INA	KBO 1636
SKF	LBCT 16

INTERCHANGE

FAG [LAN 16x26x36](#)

CALCULATION DATA

Basic dynamic load rating min	0,311 kN
Basic dynamic load rating max	0,357 kN
Basic static load rating min	0,587 kN
Basic static load rating max	0,830 kN