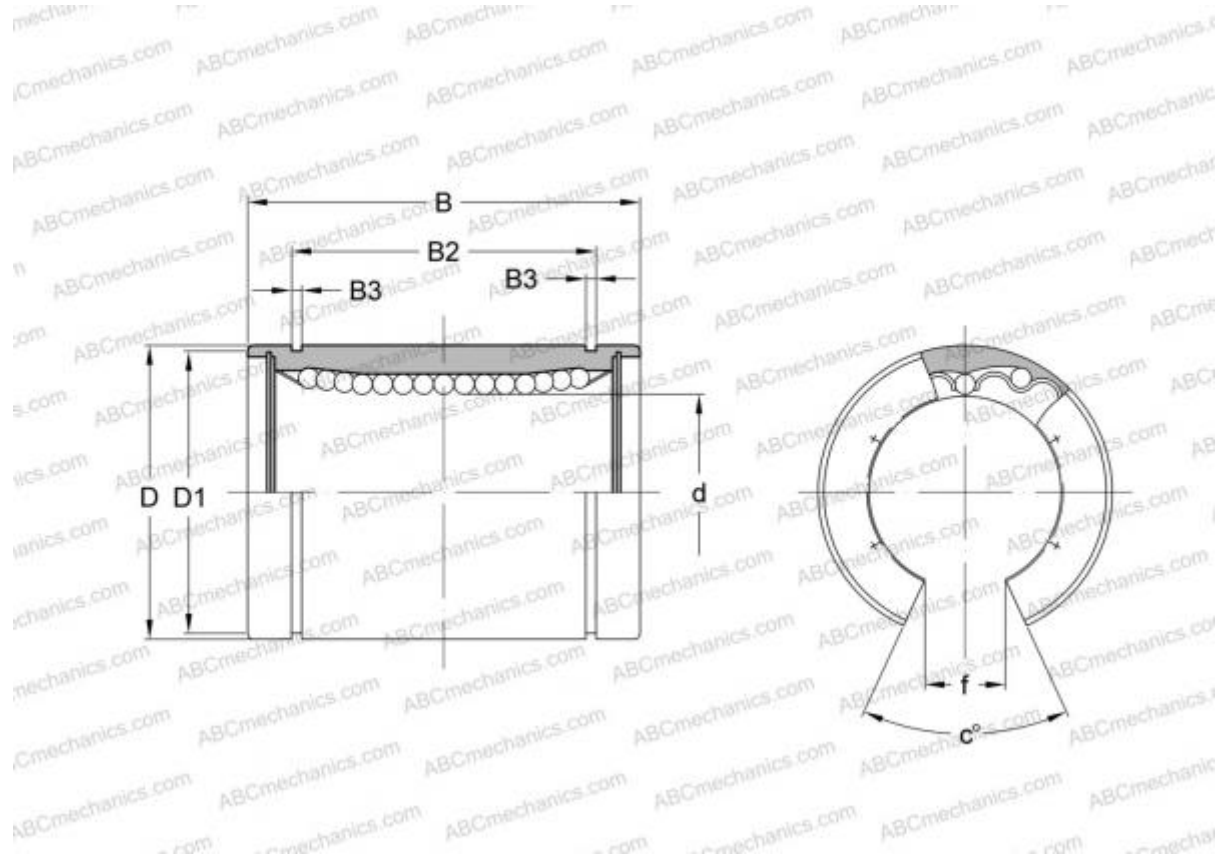


## LBCT 16 SKF

Linear bushing

TYPE: Shaft guidance systems, Linear bushing, Standard, Open type for support rail, Type LBE..OP



### Technical specification

#### DIMENSIONS, MM

|   |        |
|---|--------|
| d | 16,000 |
| D | 26,000 |
| B | 36,000 |
| f | 10,000 |
| c | 78,000 |

**WEIGHT, KG** 0,038

**MANUFACTURER** [SKF](#)

#### INTERCHANGE

|         |                             |
|---------|-----------------------------|
| ABC     | <a href="#">LBE 16 OP</a>   |
| IKO     | <a href="#">LBE 16 OP</a>   |
| STAR    | <a href="#">0630-016-00</a> |
| THOMSON | <a href="#">0630-016-00</a> |
| INA     | <a href="#">KBO 1636</a>    |

#### INTERCHANGE

|     |                              |
|-----|------------------------------|
| FAG | <a href="#">LAN 16x26x36</a> |
|-----|------------------------------|