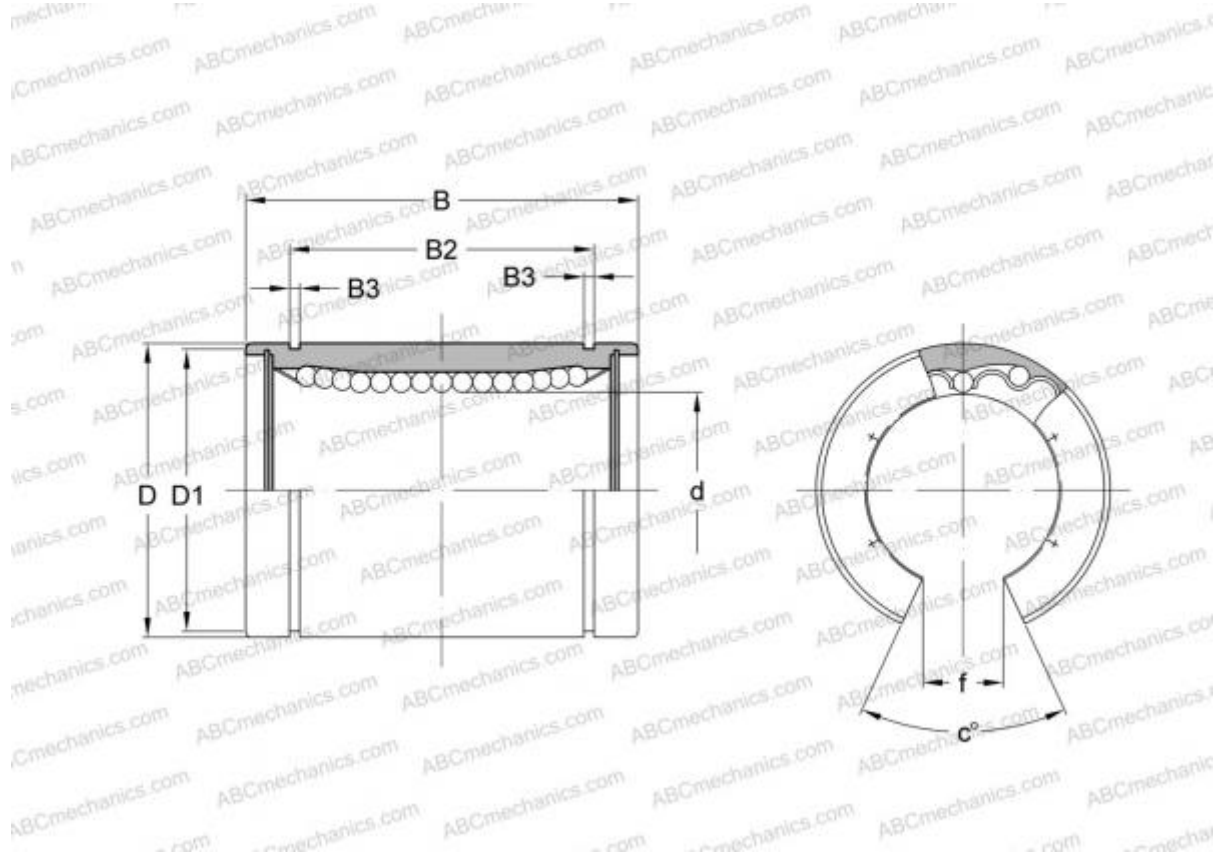


KBO 2045 INA

Linear bushing

TYPE: Shaft guidance systems, Linear bushing, Standard, Open type for support rail, Type LBE..OP



Technical specification

DIMENSIONS, MM

d	20,000
D	32,000
B	45,000
f	10,000
c	60,000

WEIGHT, KG 0,072

MANUFACTURER [INA](#)

INTERCHANGE

ABC	LBE 20 OP
IKO	LBE 20 OP
STAR	0630-020-00
THOMSON	0630-020-00
SKF	LBCT 20

INTERCHANGE

FAG	LAN 20x32x45
-----	------------------------------