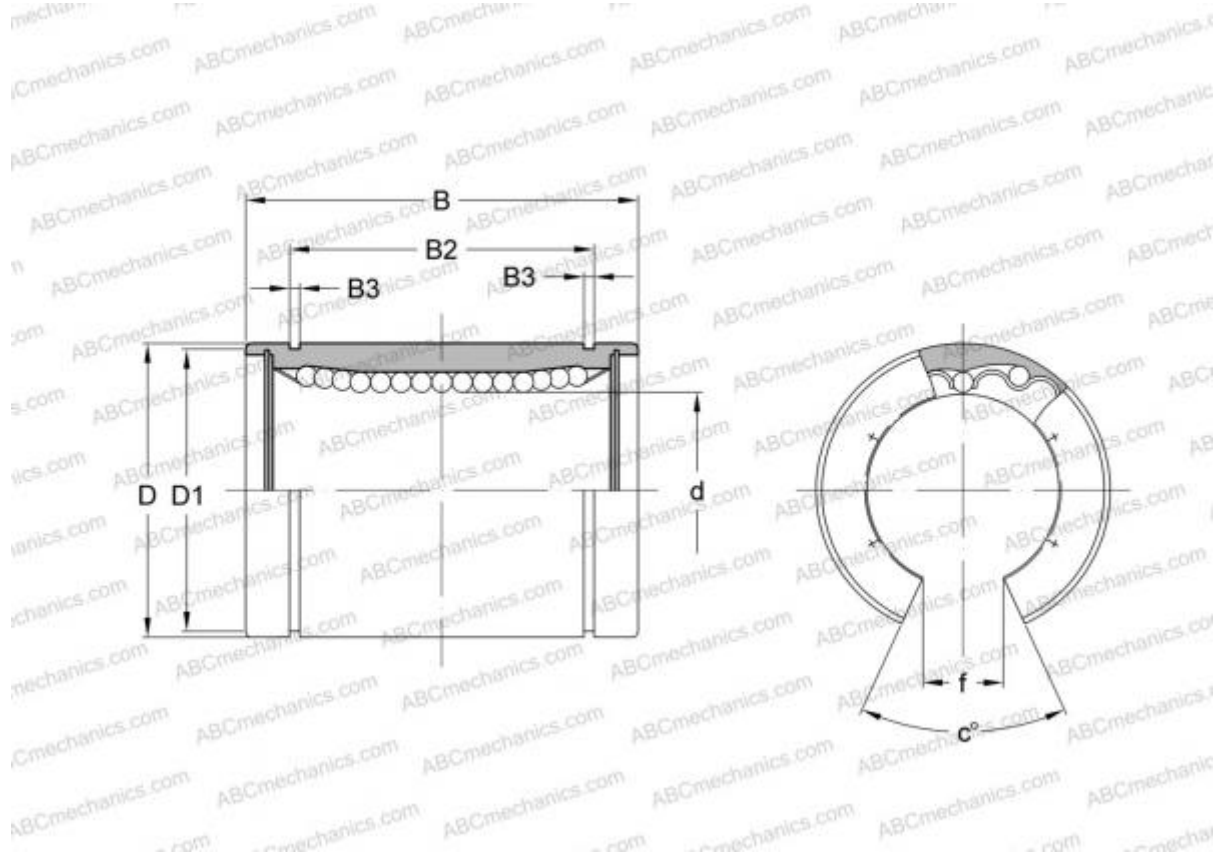


0630-025-00 THOMSON

Linear bushing

TYPE: Shaft guidance systems, Linear bushing, Standard, Open type for support rail, Type LBE..OP



Technical specification

DIMENSIONS, MM

d	25,000
D	40,000
B	58,000
f	12,500
c	60,000

WEIGHT, KG 0,141

MANUFACTURER [THOMSON](#)

INTERCHANGE

ABC	LBE 25 OP
IKO	LBE 25 OP
STAR	0630-025-00
INA	KBO 2558
SKF	LBCT 25

INTERCHANGE

FAG [LAN 25x40x58](#)