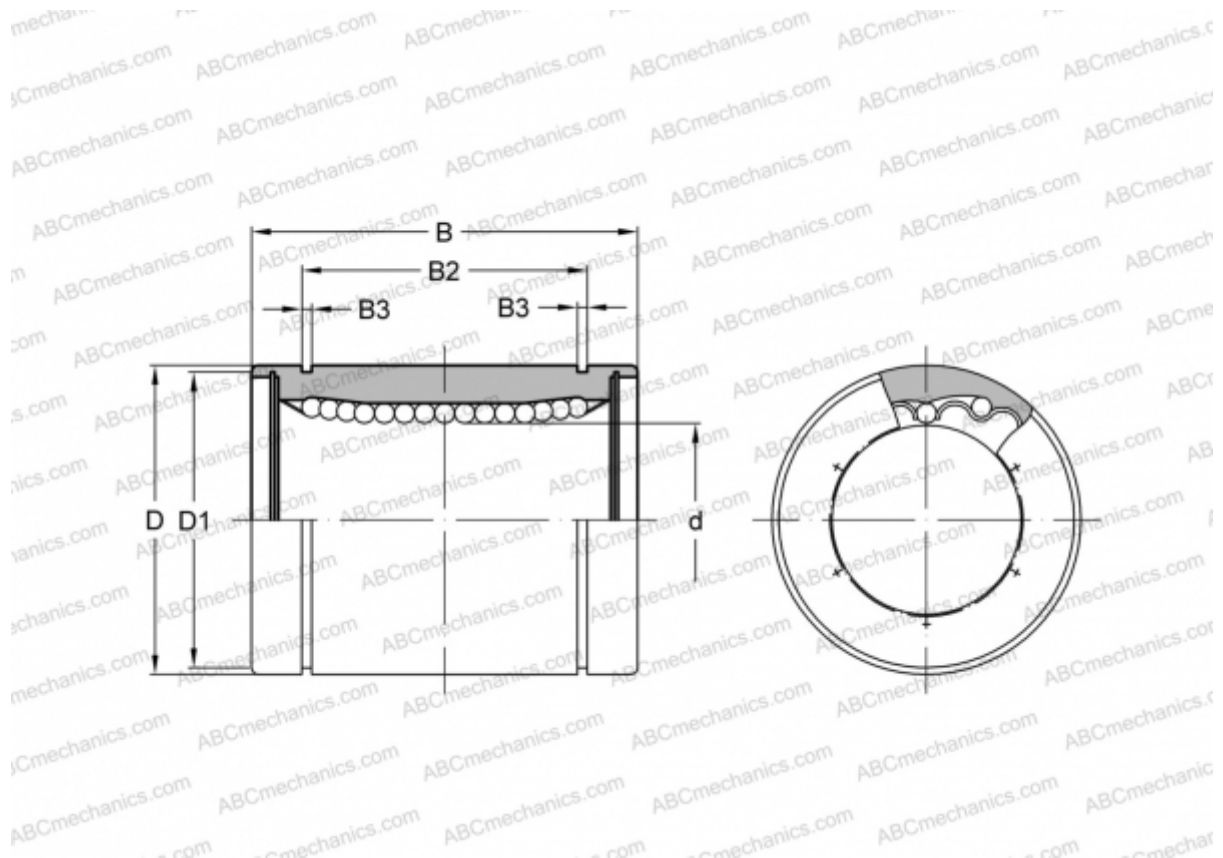


SM 25G NB

Linear bushing

TYPE: Shaft guidance systems, Linear bushing, Standard, Close type, Type SM, Asian standard, Plastic cage (NB)



Technical specification

DIMENSIONS, MM

d	25,000
D	40,000
B	59,000
D1	38,000
B2	41,000
B3	1,850

WEIGHT, KG 0,240

MANUFACTURER [NB](#)