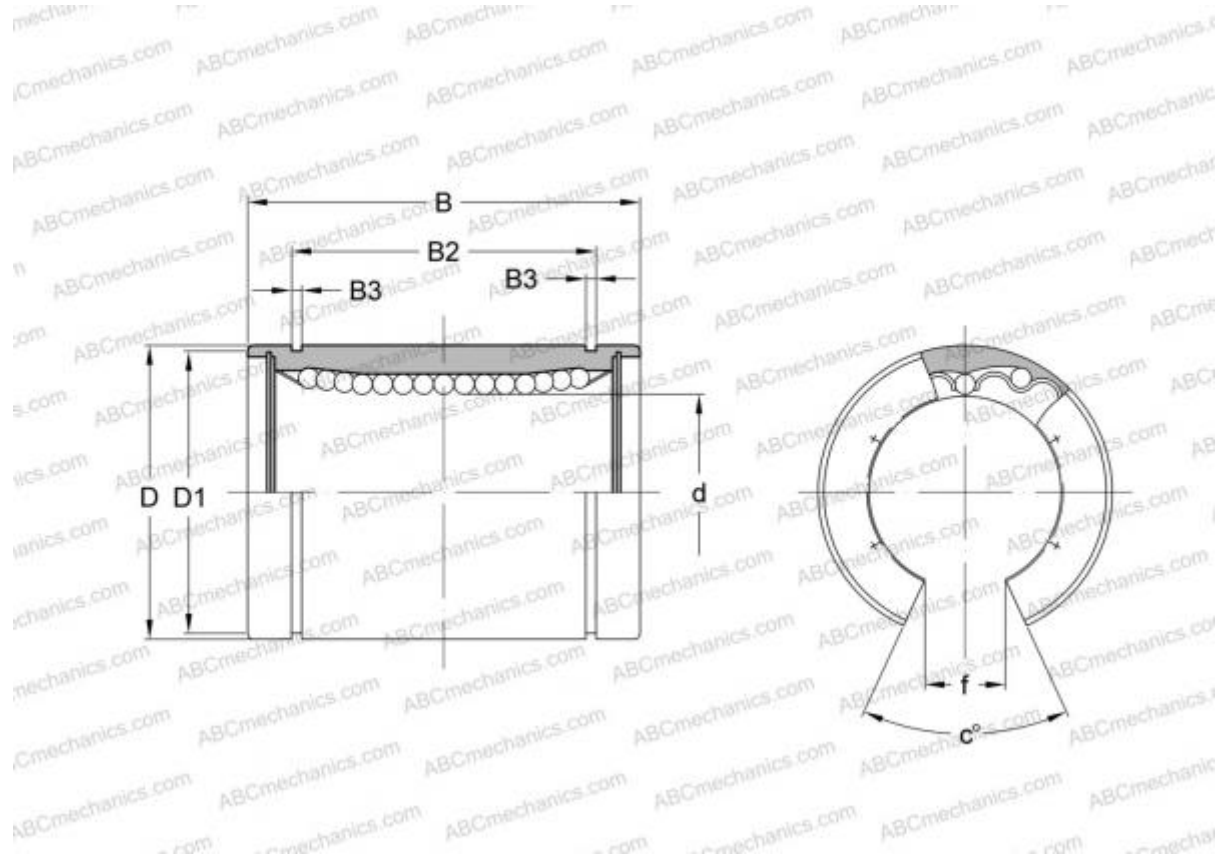


## KBO 3068 INA

Linear bushing

TYPE: Shaft guidance systems, Linear bushing, Standard, Open type for support rail, Type LBE..OP



### Technical specification

#### DIMENSIONS, MM

d	30,000
D	47,000
B	68,000
f	12,500
c	50,000

**WEIGHT, KG** 0,265

**MANUFACTURER** [INA](#)

#### INTERCHANGE

ABC	<a href="#">LBE 30 OP</a>
IKO	<a href="#">LBE 30 OP</a>
STAR	<a href="#">0630-030-00</a>
THOMSON	<a href="#">0630-030-00</a>
SKF	<a href="#">LBCT 30</a>

#### INTERCHANGE

FAG	<a href="#">LAN 30x47x68</a>
-----	------------------------------