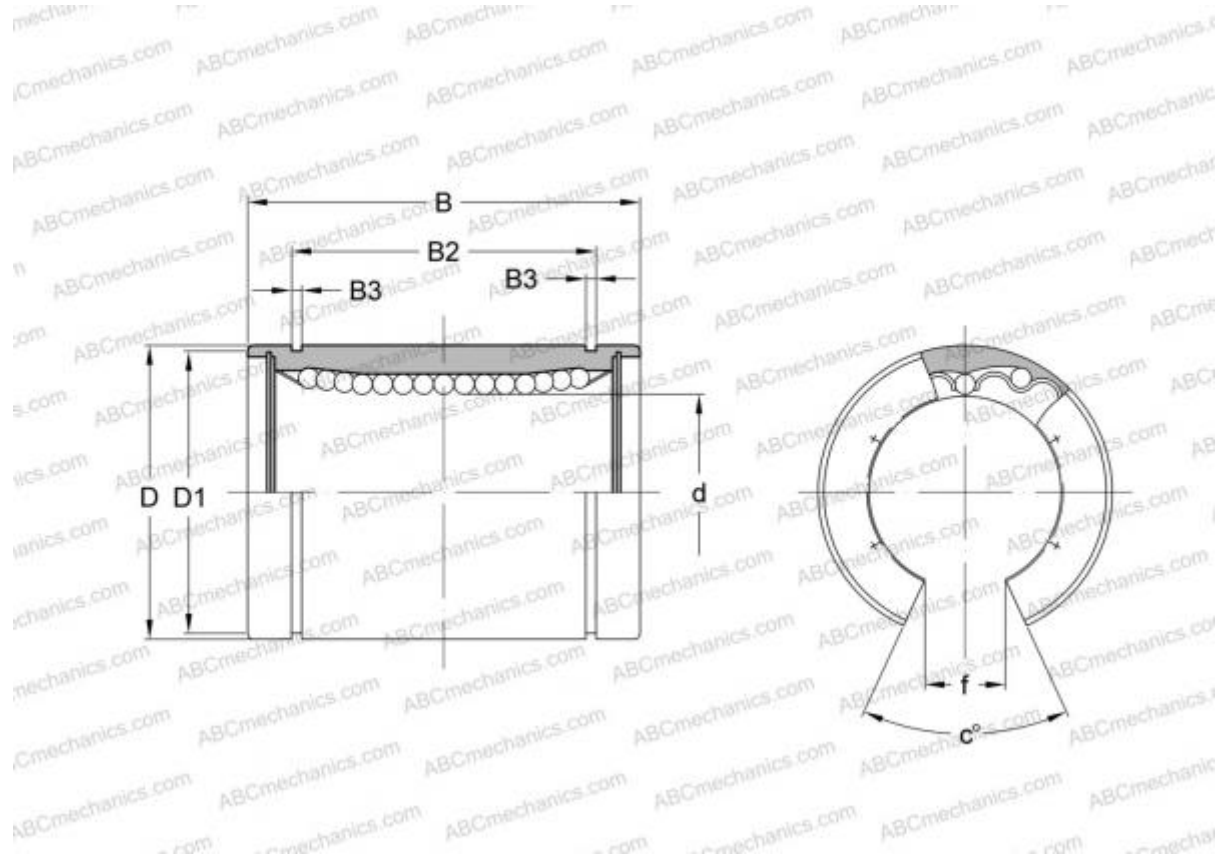


## LBE 40 OP IKO

Linear bushing

TYPE: Shaft guidance systems, Linear bushing, Standard, Open type for support rail, Type LBE..OP



### Technical specification

#### DIMENSIONS, MM

d	40,000
D	62,000
B	80,000
f	16,800
c	50,000

**WEIGHT** 0,480

**MANUFACTURER** [IKO](#)

#### INTERCHANGE

ABC	<a href="#">LBE 40 OP</a>
STAR	<a href="#">0630-040-00</a>
THOMSON	<a href="#">0630-040-00</a>
INA	<a href="#">KBO 4080</a>
SKF	<a href="#">LBCT 40</a>

#### INTERCHANGE

FAG [LAN 40x62x80](#)

#### CALCULATION DATA

Basic dynamic load rating min	2,710 kN
Basic dynamic load rating max	2,870 kN
Basic static load rating min	4,890 kN
Basic static load rating max	6,250 kN