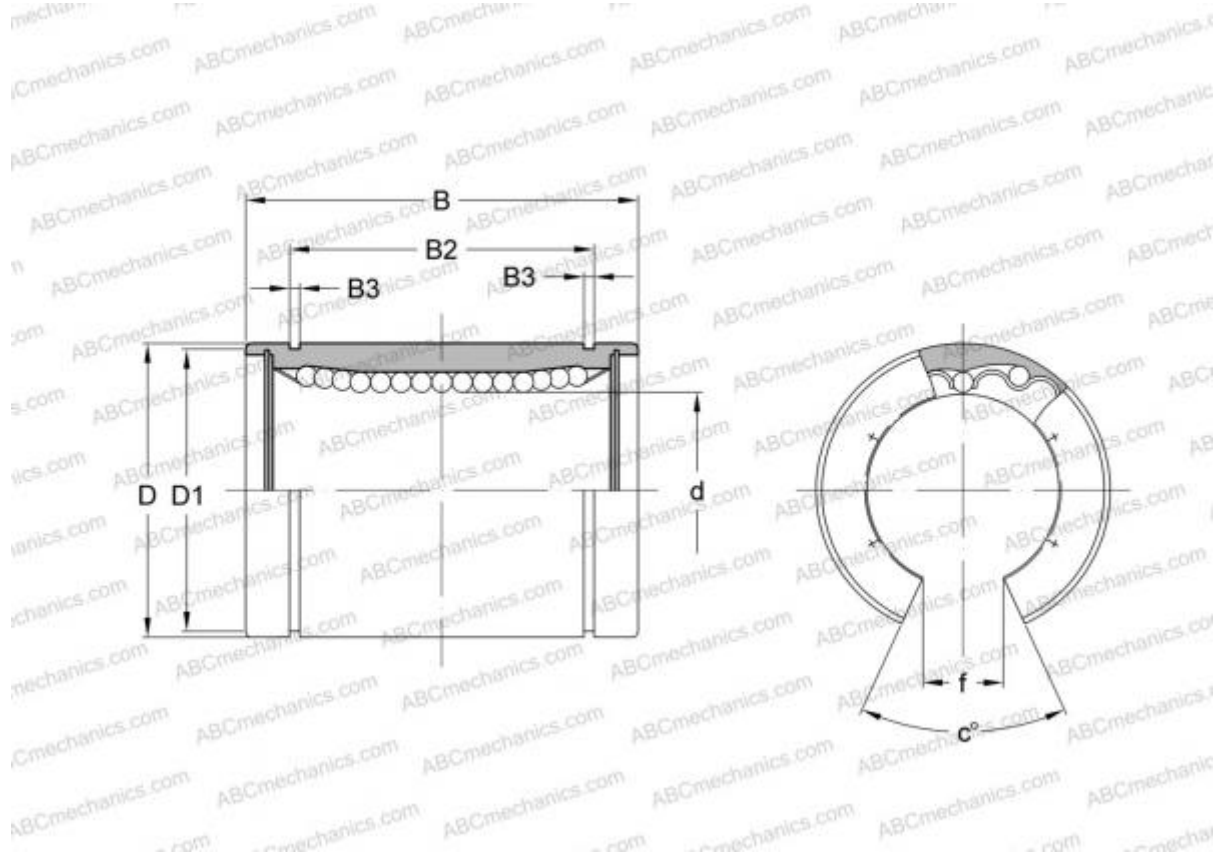


## LBE 50 OP ABC

Linear bushing

TYPE: Shaft guidance systems, Linear bushing, Standard, Open type for support rail, Type LBE..OP



### Technical specification

#### DIMENSIONS, MM

d	50,000
D	75,000
B	100,000
f	21,000
c	50,000

**WEIGHT** 0,815

**MANUFACTURER** [ABC](#)

#### INTERCHANGE

IKO	<a href="#">LBE 50 OP</a>
STAR	<a href="#">0630-050-00</a>
THOMSON	<a href="#">0630-050-00</a>
INA	<a href="#">KBO 50100</a>
SKF	<a href="#">LBCT 50</a>

#### INTERCHANGE

FAG [LAN 50x75x100](#)