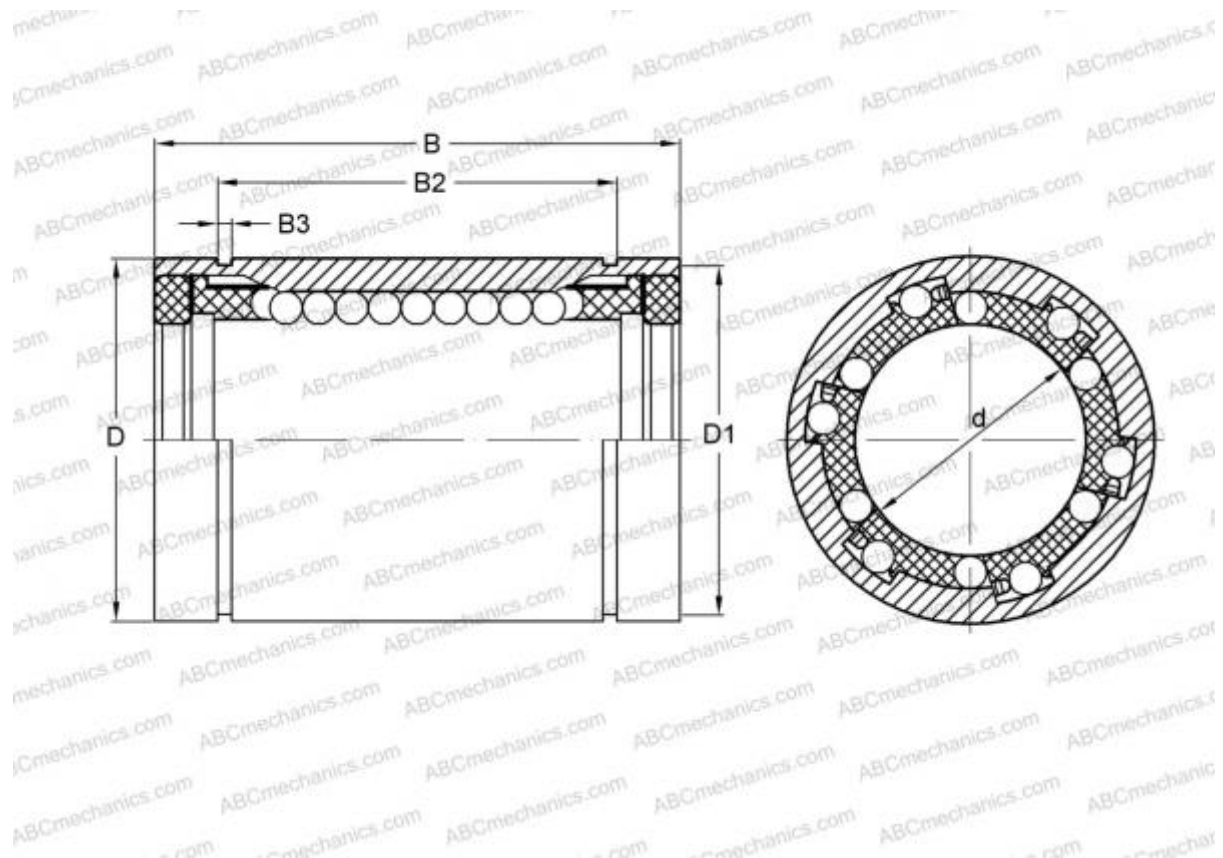


LBE 5 UU IKO

Linear bushing

TYPE: Shaft guidance systems, Linear bushing, Standard, Close type, Type LBE..UU, KB..PP, LBCR..2LS, sealed on both sides



Technical specification

DIMENSIONS, MM

d	5,000
D	12,000
B	22,000

WEIGHT 0,009

MANUFACTURER [IKO](#)

INTERCHANGE

ABC	LBE 5 UU
STAR	0602-305-10
SKF	LBAR 5-2LS
FAG	LAA 5x12x22.2RS

CALCULATION DATA

Basic dynamic load rating min	0,091 kN
Basic dynamic load rating max	0,074 kN

CALCULATION DATA

Basic static load rating min	0,213 kN
Basic static load rating max	0,213 kN