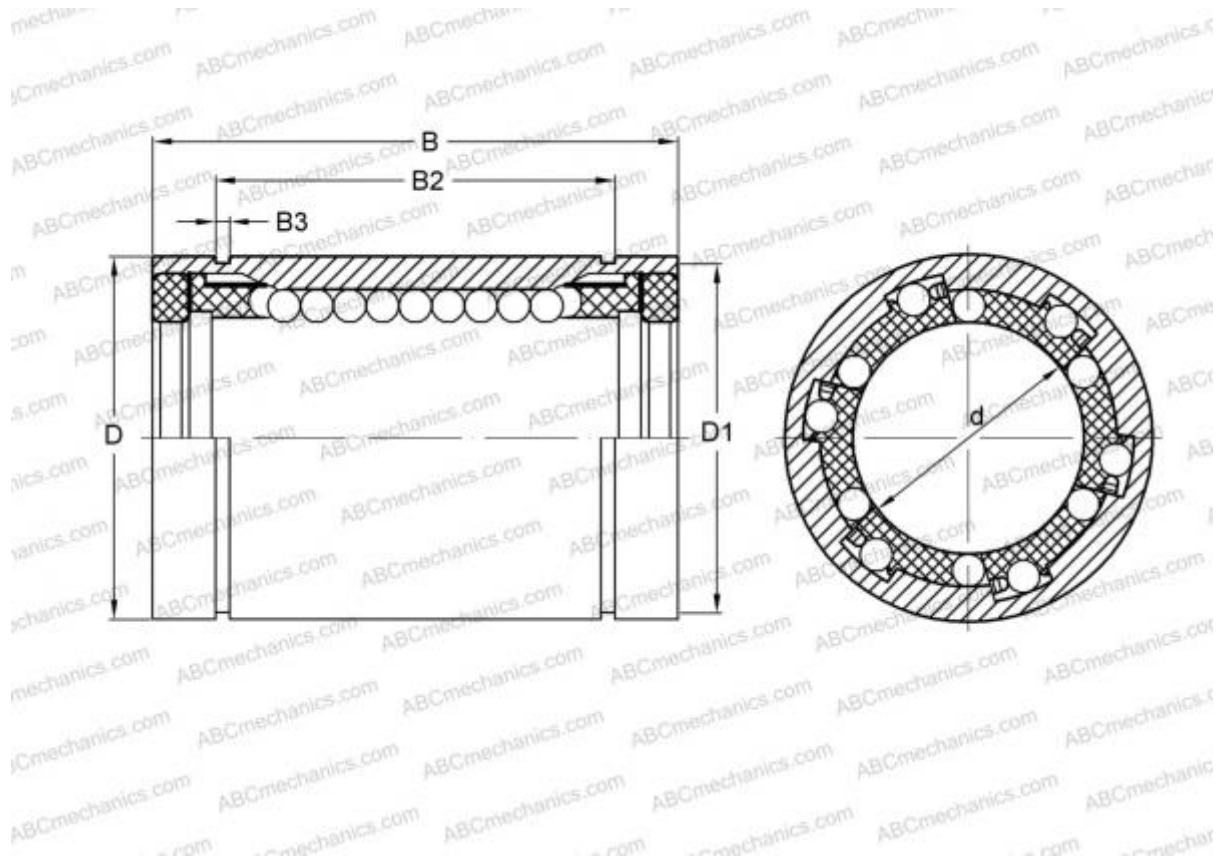


LBAR 5-2LS SKF

Linear bushing

TYPE: Shaft guidance systems, Linear bushing, Standard, Close type, Type LBE..UU, KB..PP, LBCR..2LS, sealed on both sides



Technical specification

DIMENSIONS, MM

d	5,000
D	12,000
B	22,000

WEIGHT 0,009

MANUFACTURER [SKF](#)

INTERCHANGE

ABC	LBE 5 UU
IKO	LBE 5 UU
STAR	0602-305-10
FAG	LAA 5x12x22.2RS