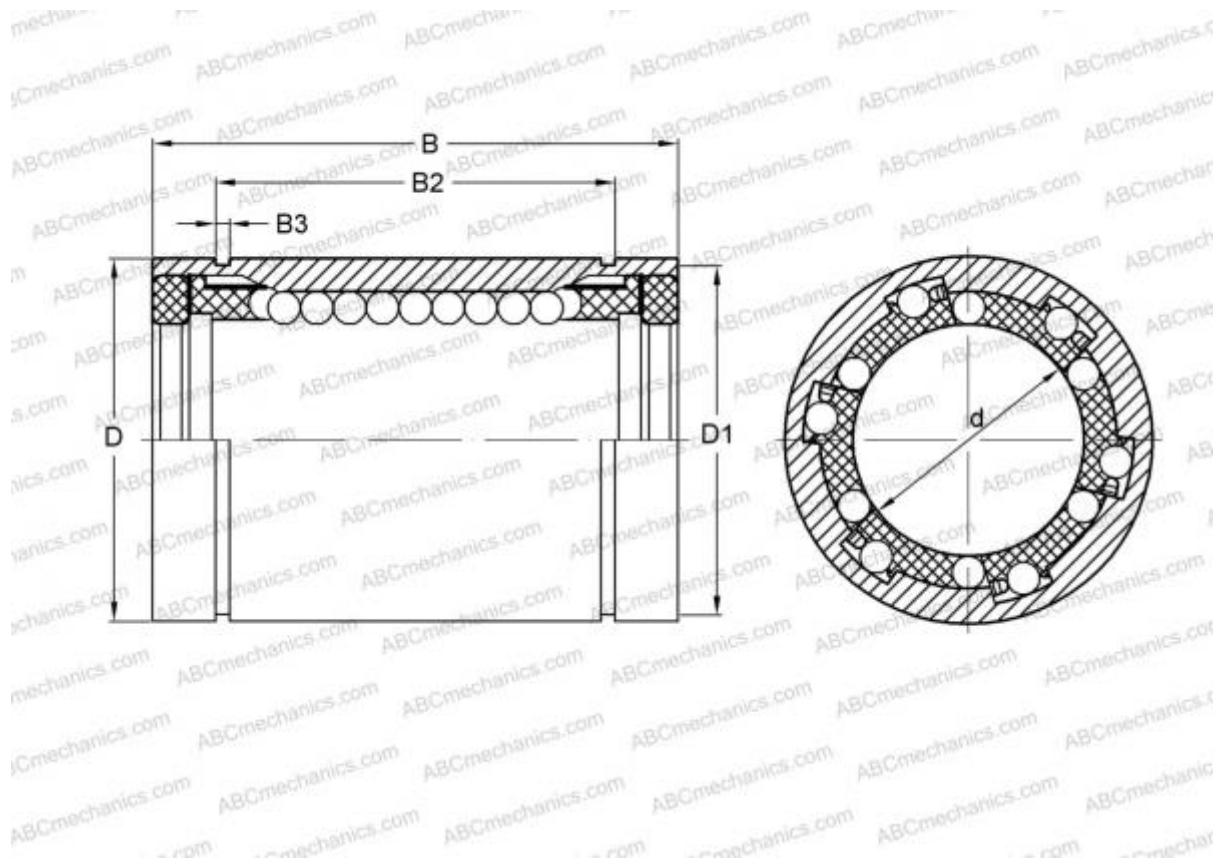


## LAA 5x12x22.2RS FAG

Linear bushing

TYPE: Shaft guidance systems, Linear bushing, Standard, Close type, Type LBE..UU, KB..PP, LBCR..2LS, sealed on both sides



### Technical specification

#### DIMENSIONS, MM

d	5,000
D	12,000
B	22,000

**WEIGHT** 0,009

**MANUFACTURER** [FAG](#)

#### INTERCHANGE

ABC	<a href="#">LBE 5 UU</a>
IKO	<a href="#">LBE 5 UU</a>
STAR	<a href="#">0602-305-10</a>
SKF	<a href="#">LBAR 5-2LS</a>