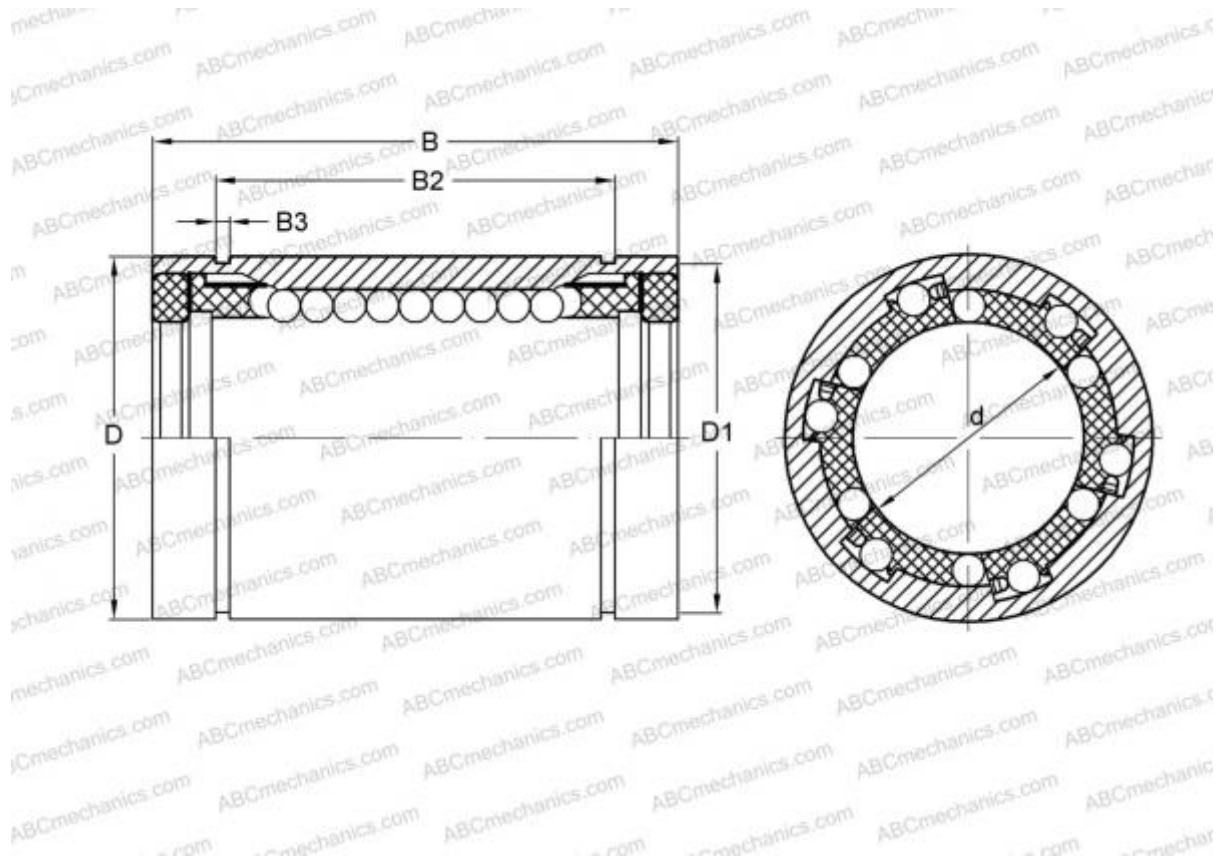


0602-308-10 THOMSON

Linear bushing

TYPE: Shaft guidance systems, Linear bushing, Standard, Close type, Type LBE..UU, KB..PP, LBCR..2LS, sealed on both sides



Technical specification

DIMENSIONS, MM

d	8,000
D	16,000
B	25,000

WEIGHT 0,017

MANUFACTURER [THOMSON](#)

INTERCHANGE

ABC	LBE 8 UU
IKO	LBE 8 UU
STAR	0602-308-10
SKF	LBAR 8-2LS
FAG	LAA 8x16x25.2RS