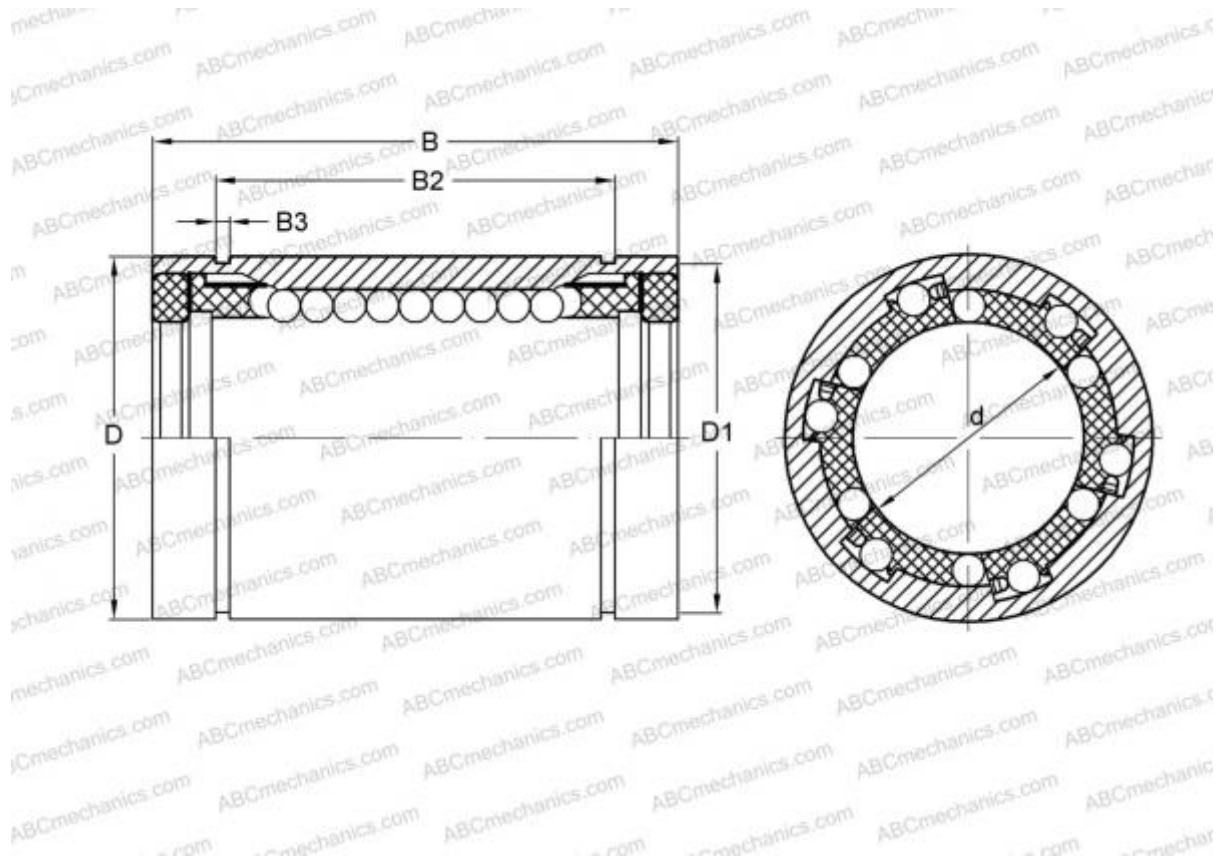


## LBAR 8-2LS SKF

Linear bushing

TYPE: Shaft guidance systems, Linear bushing, Standard, Close type, Type LBE..UU, KB..PP, LBCR..2LS, sealed on both sides



### Technical specification

#### DIMENSIONS, MM

|   |        |
|---|--------|
| d | 8,000  |
| D | 16,000 |
| B | 25,000 |

**WEIGHT** 0,017

**MANUFACTURER** [SKF](#)

#### INTERCHANGE

|         |                                 |
|---------|---------------------------------|
| ABC     | <a href="#">LBE 8 UU</a>        |
| IKO     | <a href="#">LBE 8 UU</a>        |
| STAR    | <a href="#">0602-308-10</a>     |
| THOMSON | <a href="#">0602-308-10</a>     |
| FAG     | <a href="#">LAA 8x16x25.2RS</a> |