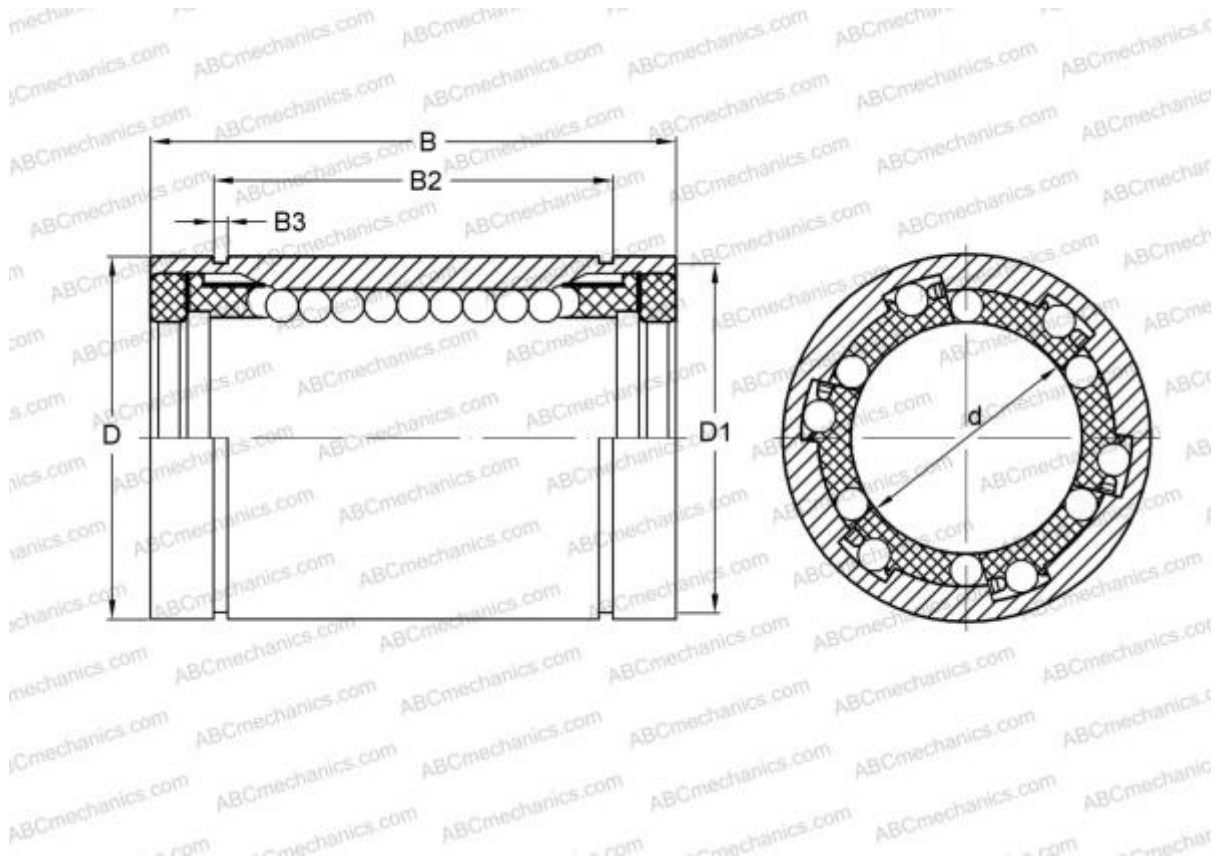


LBE 12 UU ABC

Linear bushing

TYPE: Shaft guidance systems, Linear bushing, Standard, Close type, Type LBE..UU, KB..PP, LBCR..2LS, sealed on both sides



Technical specification

DIMENSIONS, MM

d	12,000
D	22,000
B	32,000

WEIGHT, KG 0,037

MANUFACTURER [ABC](#)

INTERCHANGE

IKO	LBE 12 UU
STAR	0602-012-10
THOMSON	0602-012-10
INA	KB12-PP
SKF	LBCR 12-2LS
FAG	LAA 12x22x32.2RS