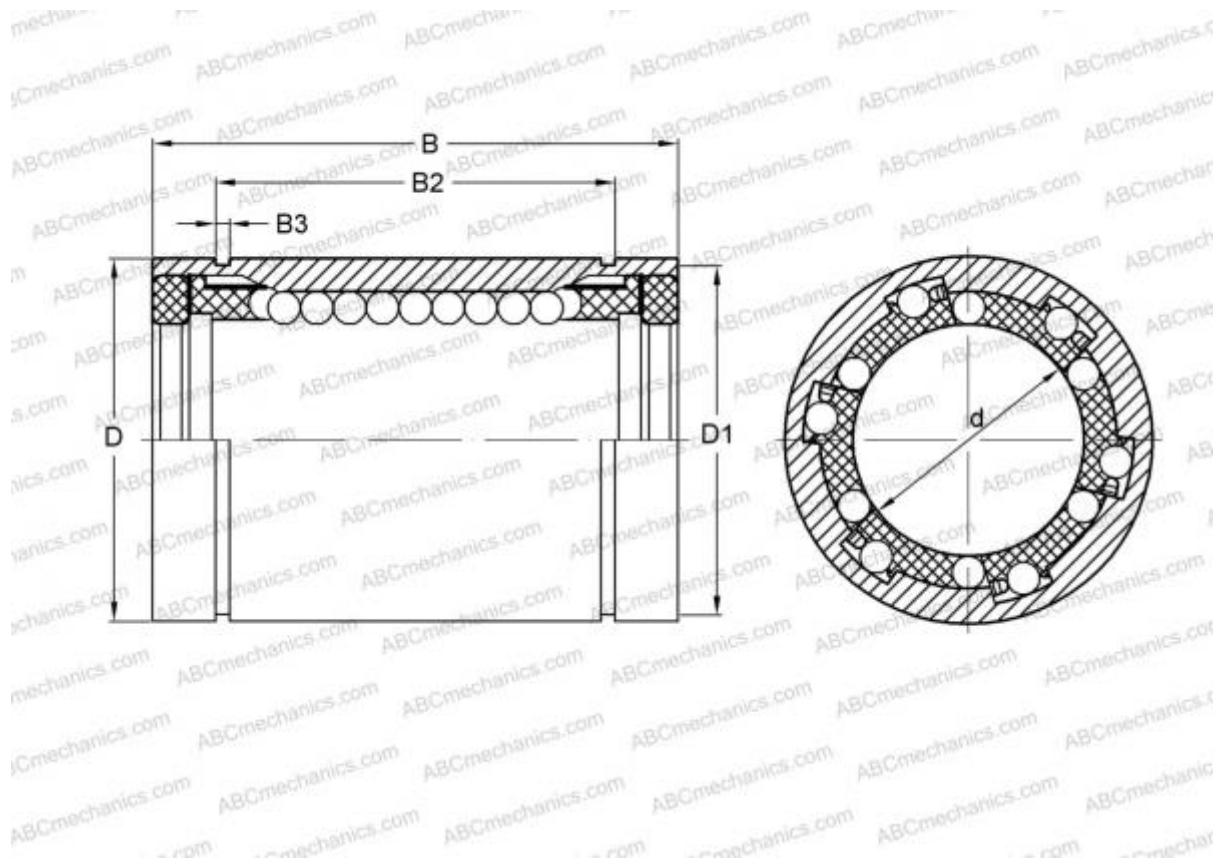


LBE 12 UU IKO

Linear bushing

TYPE: Shaft guidance systems, Linear bushing, Standard, Close type, Type LBE..UU, KB..PP, LBCR..2LS, sealed on both sides



Technical specification

DIMENSIONS, MM

d	12,000
D	22,000
B	32,000

WEIGHT, KG 0,037

MANUFACTURER [IKO](#)

INTERCHANGE

ABC	LBE 12 UU
STAR	0602-012-10
THOMSON	0602-012-10
INA	KB12-PP
SKF	LBCR 12-2LS
FAG	LAA 12x22x32.2RS

CALCULATION DATA

Basic dynamic load rating min	0,284 kN
Basic dynamic load rating max	0,327 kN
Basic static load rating min	0,575 kN
Basic static load rating max	0,813 kN