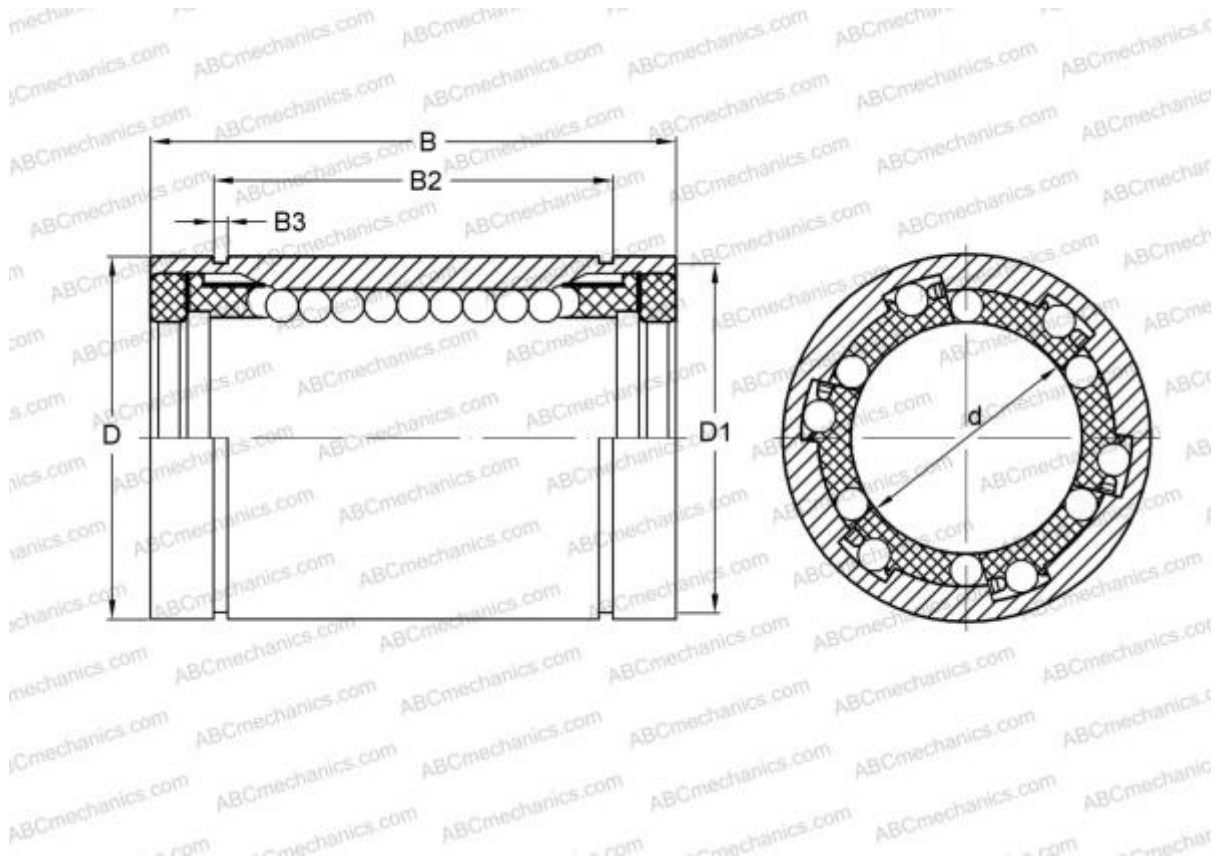


KB12-PP INA

Linear bushing

TYPE: Shaft guidance systems, Linear bushing, Standard, Close type, Type LBE..UU, KB..PP, LBCR..2LS, sealed on both sides



Technical specification

DIMENSIONS, MM

d	12,000
D	22,000
B	32,000
D1	21,000
B2	22,600
B3	1,300

WEIGHT, KG 0,040

MANUFACTURER [INA](#)

INTERCHANGE

ABC	LBE 12 UU
IKO	LBE 12 UU
STAR	0602-012-10
THOMSON	0602-012-10

INTERCHANGE

SKF	LBCR 12-2LS
FAG	LAA 12x22x32.2RS

REPLACES

KB 1232 PP