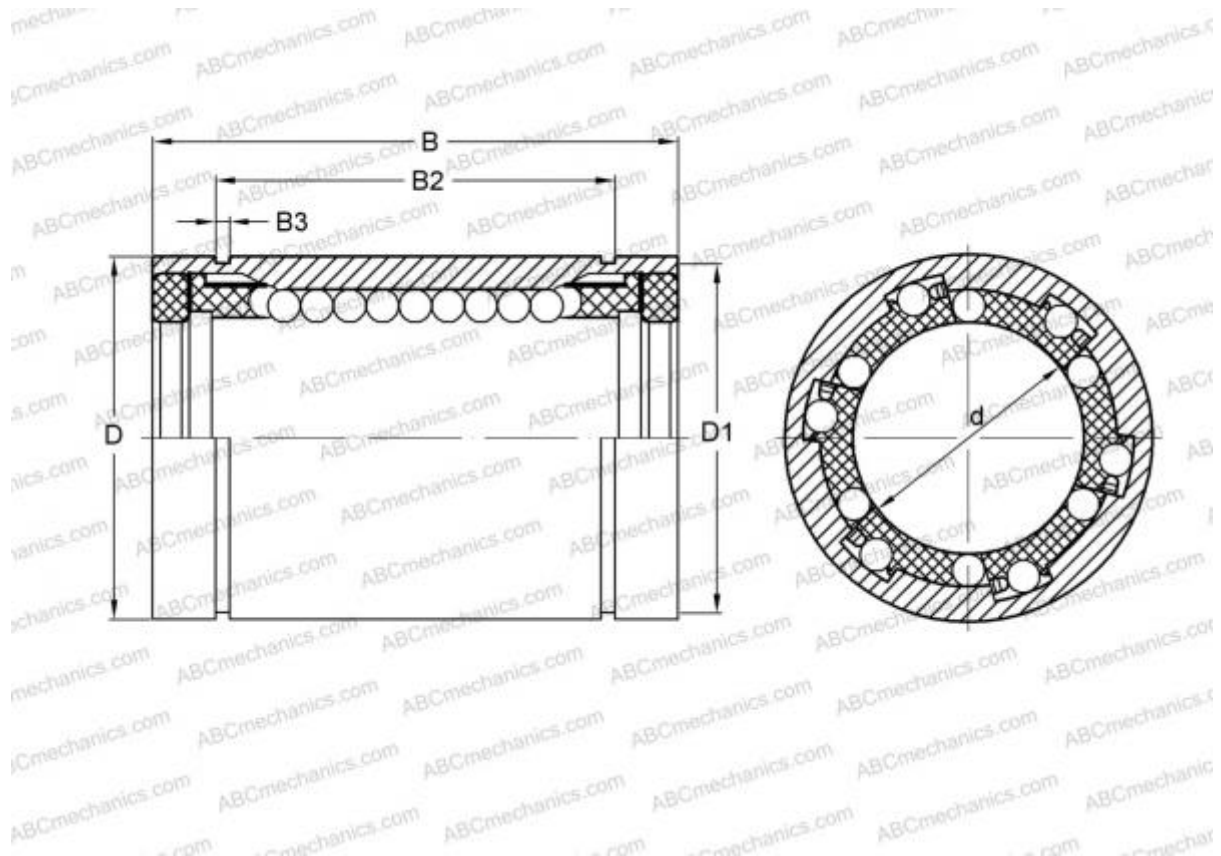


## 0602-016-10 THOMSON

Linear bushing

TYPE: Shaft guidance systems, Linear bushing, Standard, Close type, Type LBE..UU, KB..PP, LBCR..2LS, sealed on both sides



### Technical specification

#### DIMENSIONS, MM

d	16,000
D	26,000
B	36,000

**WEIGHT, KG** 0,048

**MANUFACTURER** [THOMSON](#)

#### INTERCHANGE

ABC	<a href="#">LBE 16 UU</a>
IKO	<a href="#">LBE 16 UU</a>
STAR	<a href="#">0602-016-10</a>
INA	<a href="#">KB16-PP</a>
SKF	<a href="#">LBCR 16-2LS</a>
FAG	<a href="#">LAA 16x26x36.2RS</a>