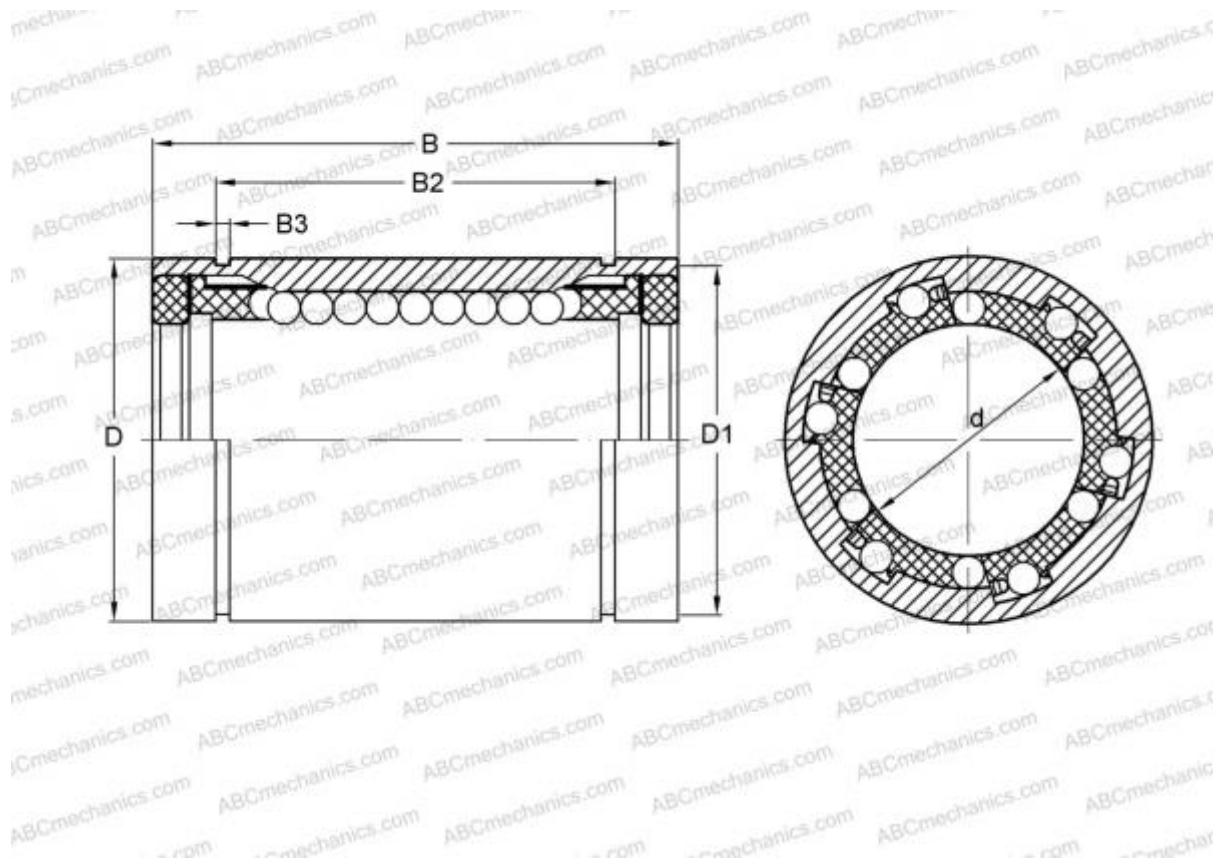


## KB20-PP INA

Linear bushing

TYPE: Shaft guidance systems, Linear bushing, Standard, Close type, Type LBE..UU, KB..PP, LBCR..2LS, sealed on both sides



### Technical specification

#### DIMENSIONS, MM

d	20,000
D	32,000
B	45,000
D1	30,300
B2	31,200
B3	1,600

**WEIGHT, KG** 0,090

**MANUFACTURER** [INA](#)

#### INTERCHANGE

ABC	<a href="#">LBE 20 UU</a>
IKO	<a href="#">LBE 20 UU</a>
STAR	<a href="#">0602-020-10</a>
THOMSON	<a href="#">0602-020-10</a>

#### INTERCHANGE

SKF	<a href="#">LBCR 20-2LS</a>
FAG	<a href="#">LAA 20x32x45.2RS</a>

#### REPLACES

KB 2045 PP