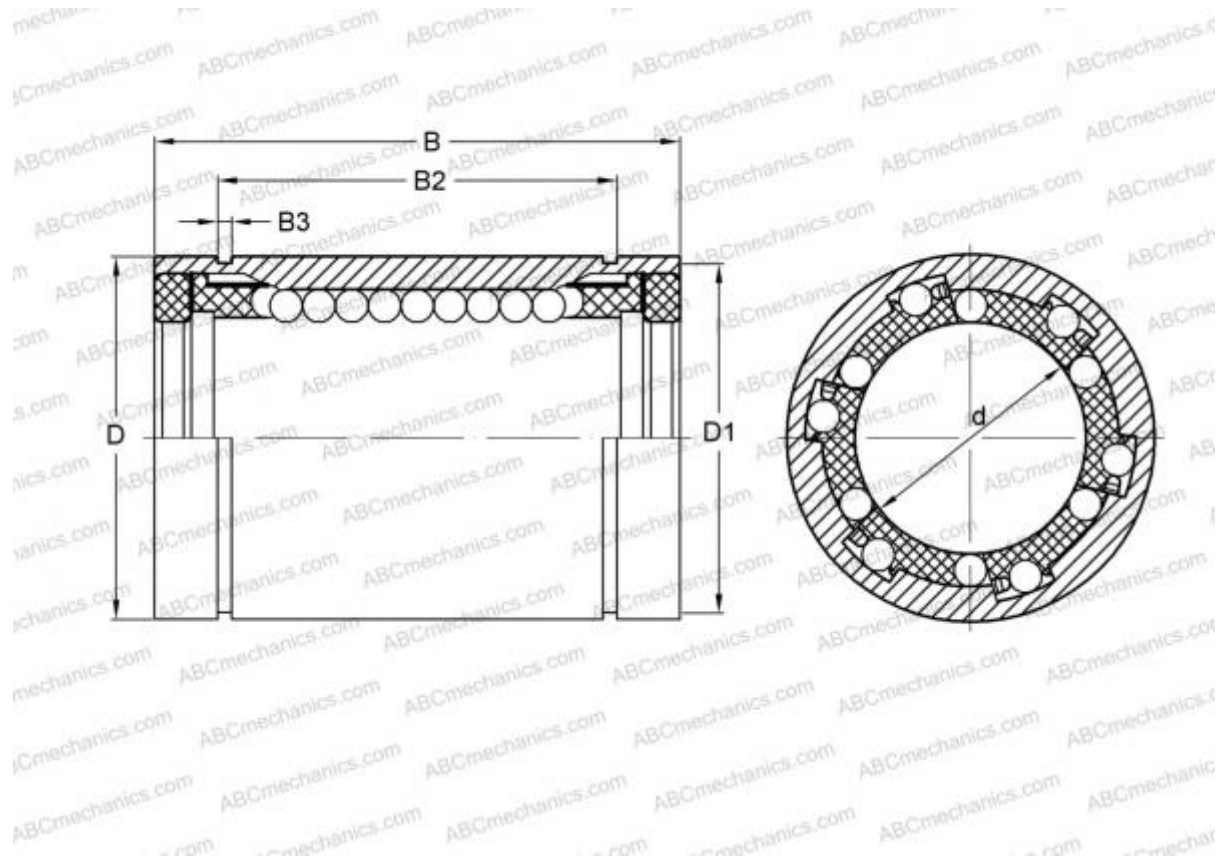


0602-030-10 THOMSON

Linear bushing

TYPE: Shaft guidance systems, Linear bushing, Standard, Close type, Type LBE..UU, KB..PP, LBCR..2LS, sealed on both sides



Technical specification

DIMENSIONS, MM

| | |
|---|--------|
| d | 30,000 |
| D | 47,000 |
| B | 68,000 |

WEIGHT, KG 0,305

MANUFACTURER [THOMSON](#)

INTERCHANGE

| | |
|------|----------------------------------|
| ABC | LBE 30 UU |
| IKO | LBE 30 UU |
| STAR | 0602-030-10 |
| INA | KB30-PP |
| SKF | LBCR 30-2LS |
| FAG | LAA 30x47x68.2RS |