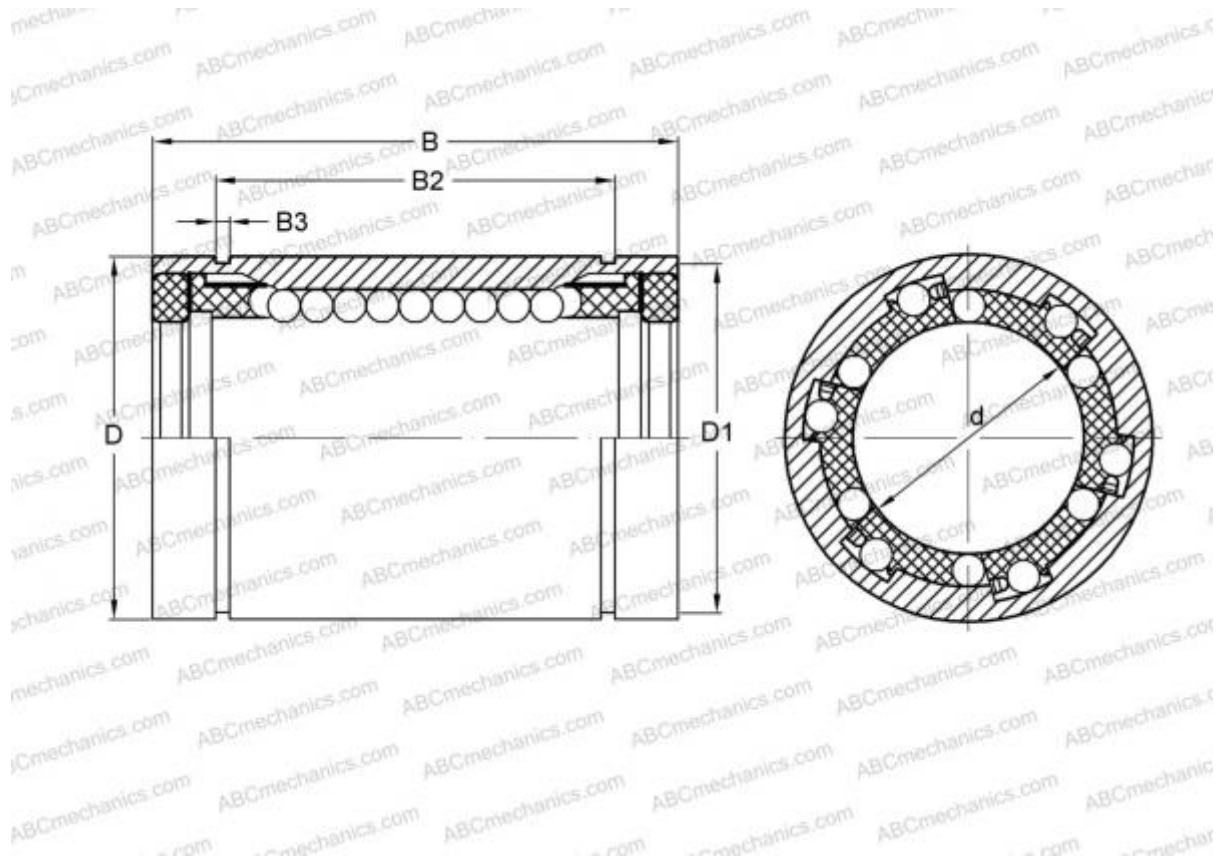


## LAA 30x47x68.2RS FAG

Linear bushing

TYPE: Shaft guidance systems, Linear bushing, Standard, Close type, Type LBE..UU, KB..PP, LBCR..2LS, sealed on both sides



### Technical specification

#### DIMENSIONS, MM

d	30,000
D	47,000
B	68,000

**WEIGHT, KG** 0,305

**MANUFACTURER** [FAG](#)

#### INTERCHANGE

ABC	<a href="#">LBE 30 UU</a>
IKO	<a href="#">LBE 30 UU</a>
STAR	<a href="#">0602-030-10</a>
THOMSON	<a href="#">0602-030-10</a>
INA	<a href="#">KB30-PP</a>
SKF	<a href="#">LBCR 30-2LS</a>