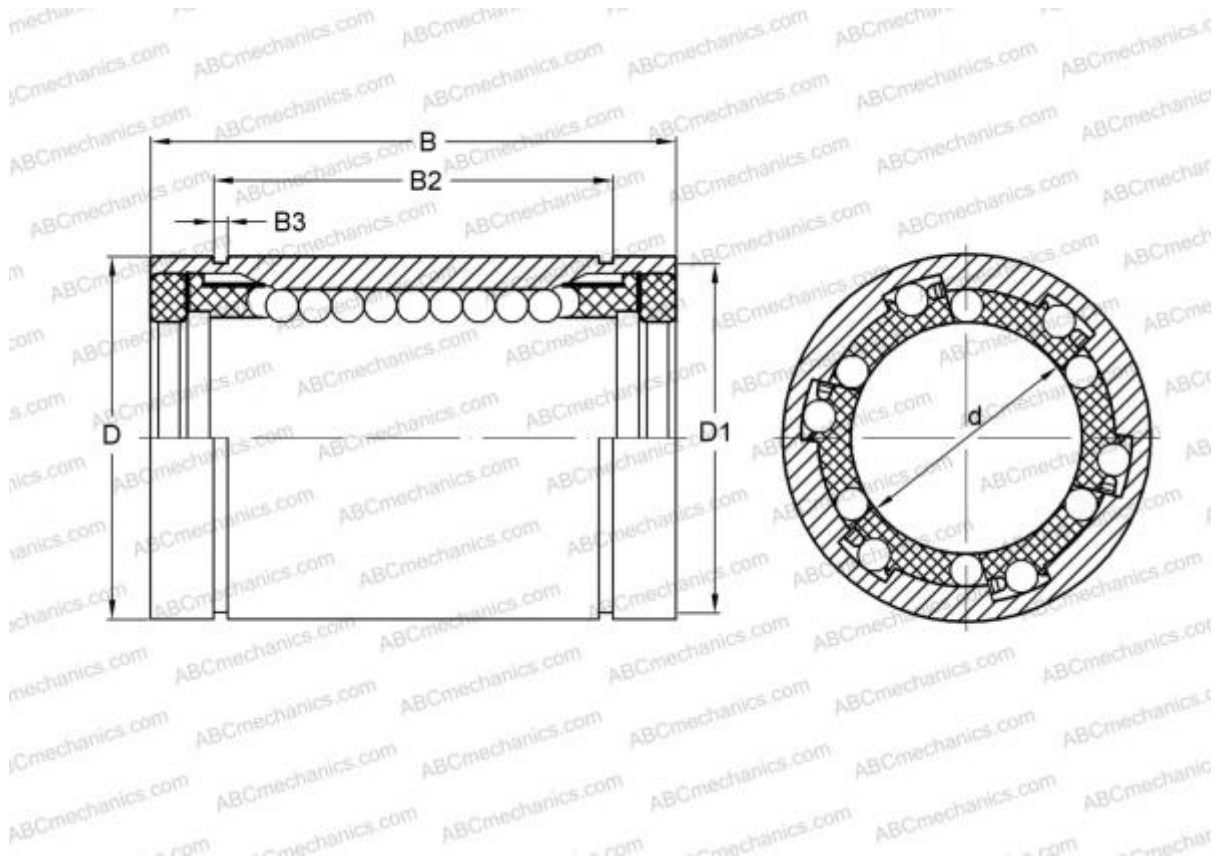


## LBE 50 UU ABC

Linear bushing

TYPE: Shaft guidance systems, Linear bushing, Standard, Close type, Type LBE..UU, KB..PP, LBCR..2LS, sealed on both sides



### Technical specification

#### DIMENSIONS, MM

d	50,000
D	75,000
B	100,000

**WEIGHT** 0,940

**MANUFACTURER** [ABC](#)

#### INTERCHANGE

IKO	<a href="#">LBE 50 UU</a>
STAR	<a href="#">0602-050-10</a>
THOMSON	<a href="#">0602-050-10</a>
INA	<a href="#">KB50-PP</a>
SKF	<a href="#">LBCR 50-2LS</a>
FAG	<a href="#">LAA 50x75x100.2RS</a>