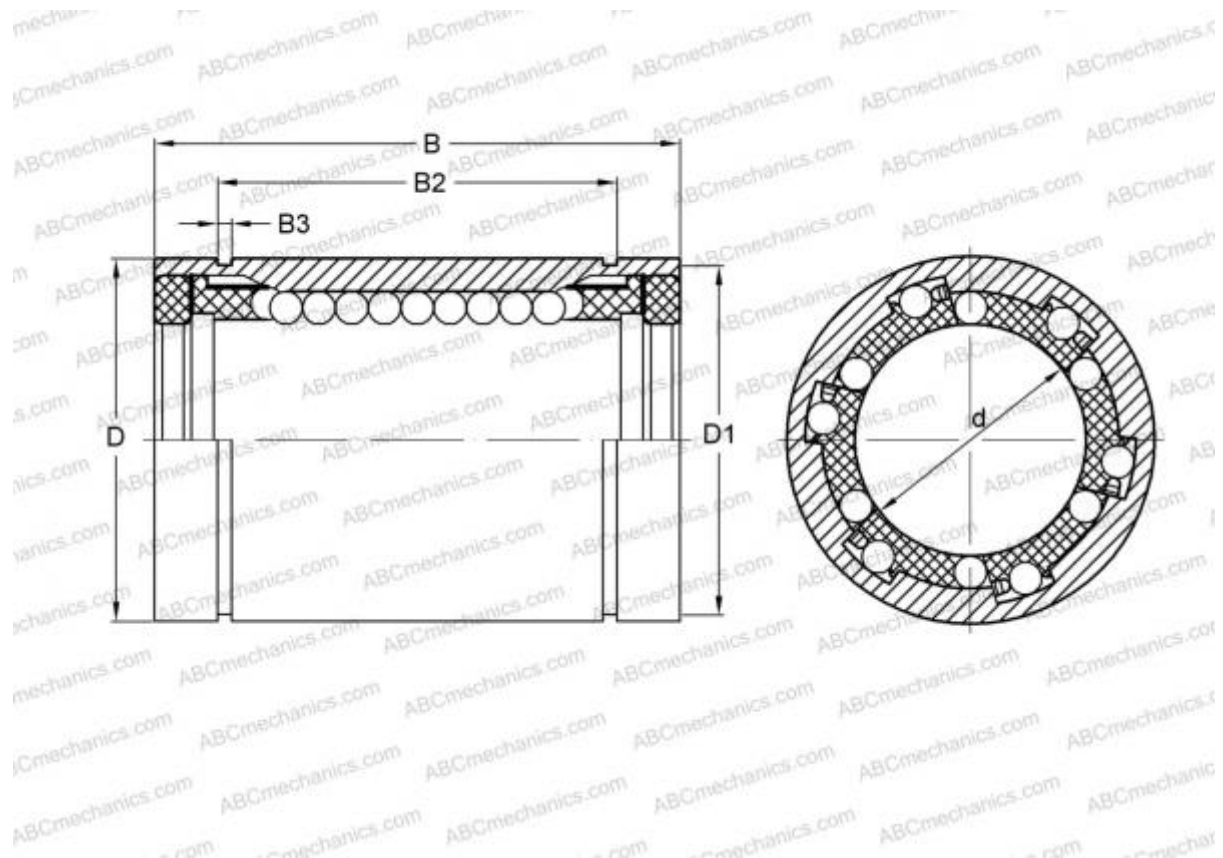


LBE 50 UU IKO

Linear bushing

TYPE: Shaft guidance systems, Linear bushing, Standard, Close type, Type LBE..UU, KB..PP, LBCR..2LS, sealed on both sides



Technical specification

DIMENSIONS, MM

d	50,000
D	75,000
B	100,000

WEIGHT 0,940

MANUFACTURER [IKO](#)

INTERCHANGE

ABC	LBE 50 UU
STAR	0602-050-10
THOMSON	0602-050-10
INA	KB50-PP
SKF	LBCR 50-2LS
FAG	LAA 50x75x100.2RS

CALCULATION DATA

Basic dynamic load rating min	3,940 kN
Basic dynamic load rating max	4,180 kN
Basic static load rating min	7,130 kN
Basic static load rating max	9,120 kN