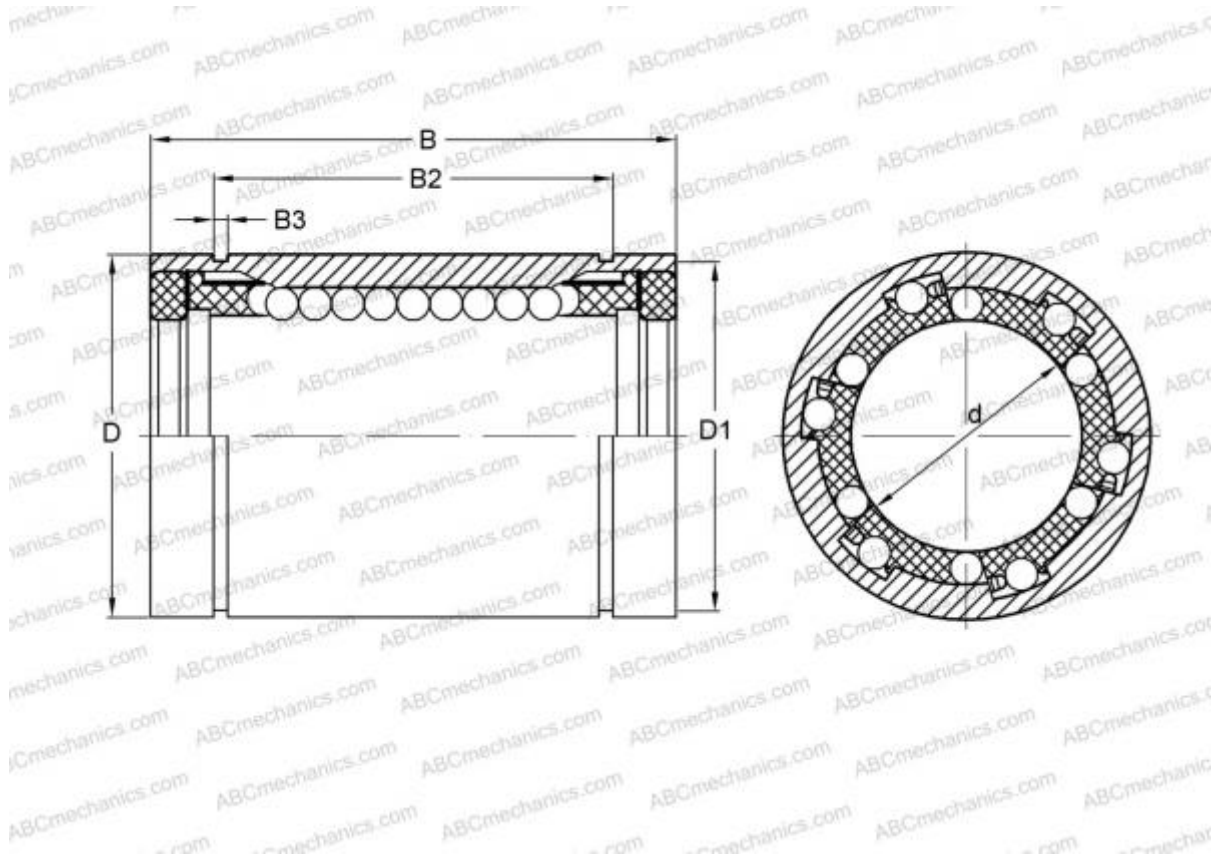


KB50-PP INA

Linear bushing

TYPE: Shaft guidance systems, Linear bushing, Standard, Close type, Type LBE..UU, KB..PP, LBCR..2LS, sealed on both sides



Technical specification

DIMENSIONS, MM

d	50,000
D	75,000
B	100,000
D1	72,000
B2	77,300
B3	2,650

WEIGHT 1,000

MANUFACTURER [INA](#)

INTERCHANGE

ABC	LBE 50 UU
IKO	LBE 50 UU
STAR	0602-050-10
THOMSON	0602-050-10

INTERCHANGE

SKF	LBCR 50-2LS
FAG	LAA 50x75x100.2RS

REPLACES

KB 50100 PP