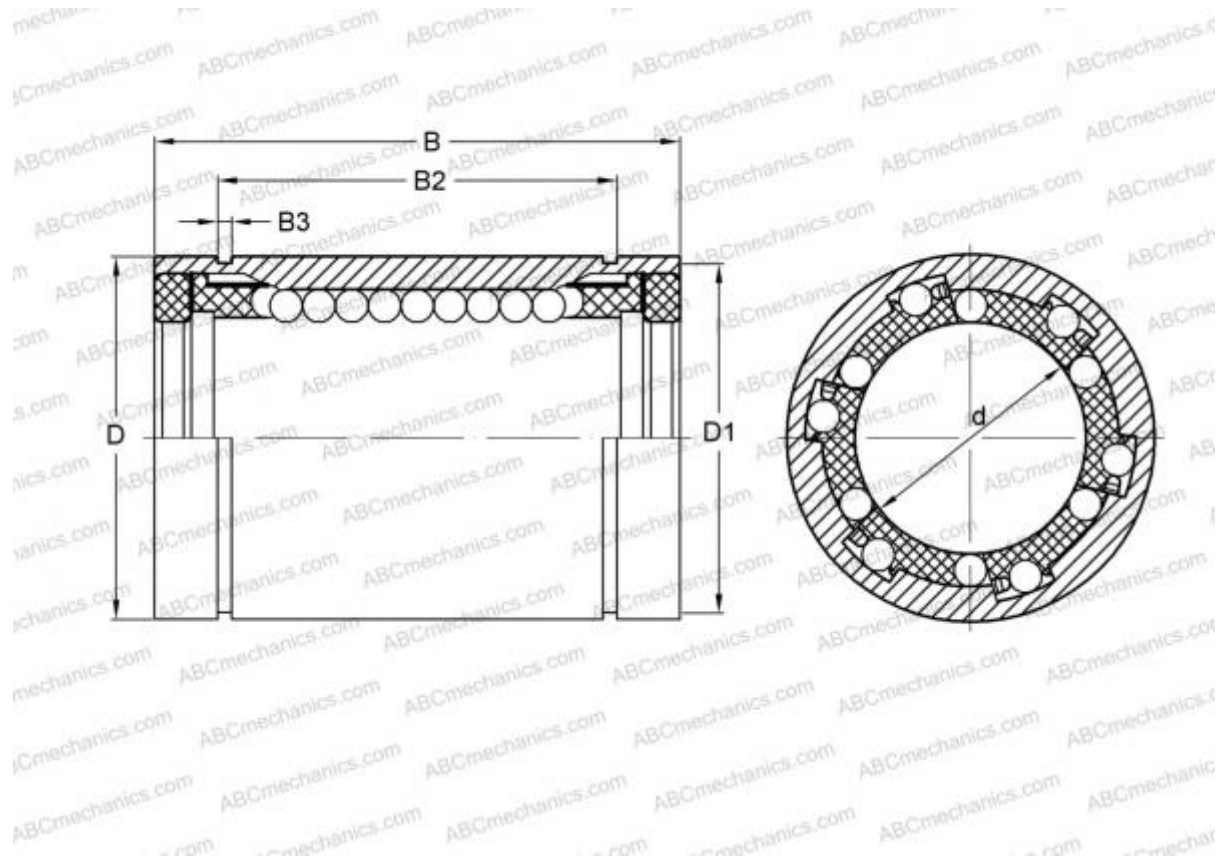


LAA 50x75x100.2RS FAG

Linear bushing

TYPE: Shaft guidance systems, Linear bushing, Standard, Close type, Type LBE..UU, KB..PP, LBCR..2LS, sealed on both sides



Technical specification

DIMENSIONS, MM

d	50,000
D	75,000
B	100,000

WEIGHT 0,940

MANUFACTURER [FAG](#)

INTERCHANGE

ABC	LBE 50 UU
IKO	LBE 50 UU
STAR	0602-050-10
THOMSON	0602-050-10
INA	KB50-PP
SKF	LBCR 50-2LS