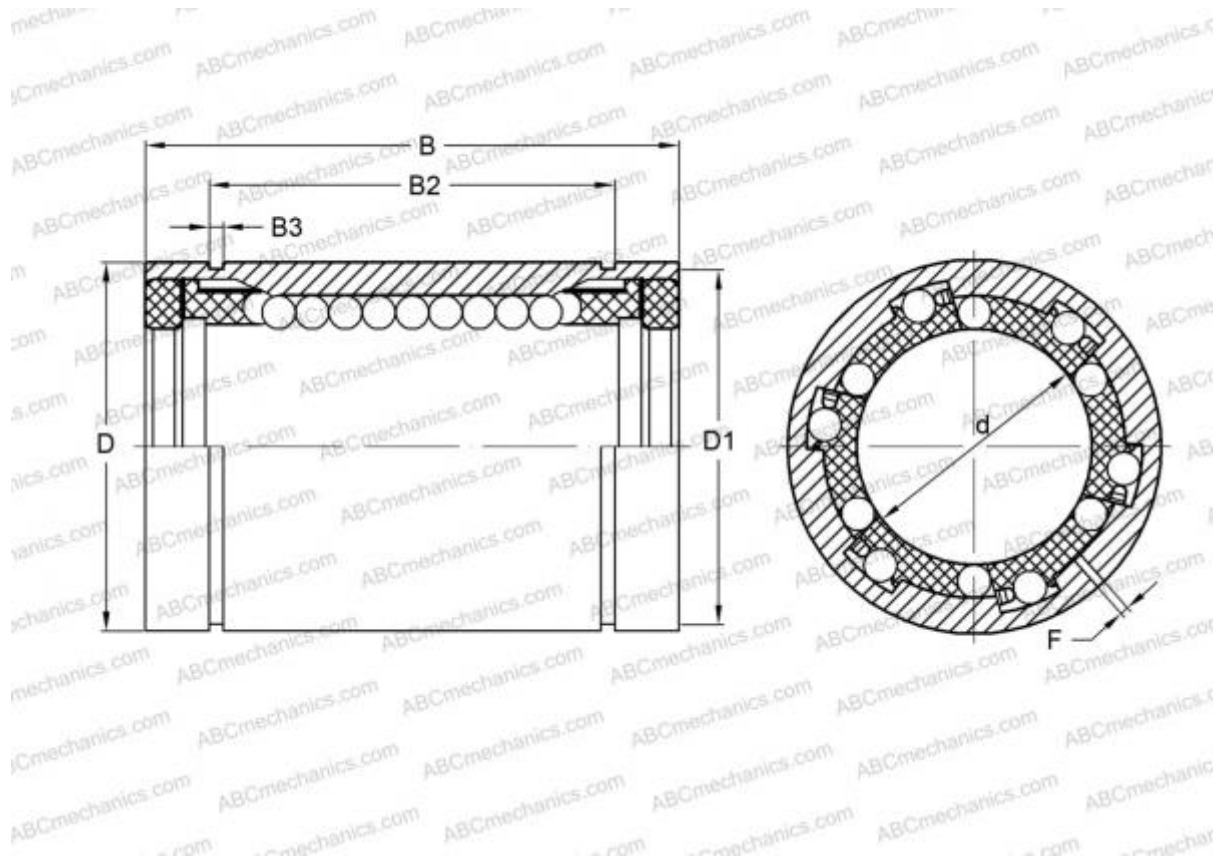


LBE 5 UU AJ ABC

Linear bushing

TYPE: Shaft guidance systems, Linear bushing, Standard, Adjustable type, Type LBE..UU AJ, sealed on both sides



Technical specification

DIMENSIONS, MM

d	5,000
D	12,000
B	22,000
F	1.5

WEIGHT 0,008

MANUFACTURER [ABC](#)

INTERCHANGE

IKO	LBE 5 UU AJ
STAR	0612-305-10
SKF	LBAS 5-2LS