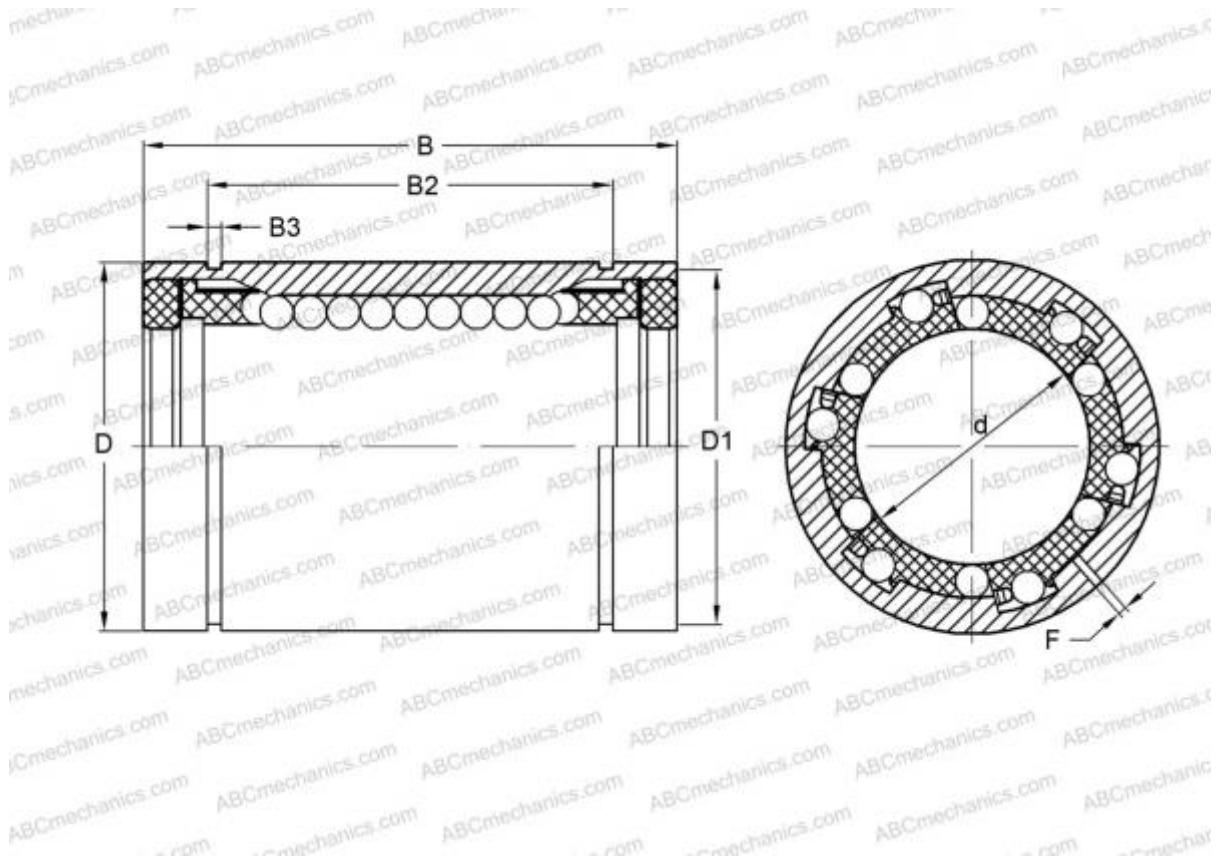


LBE 5 UU AJ IKO

Linear bushing

TYPE: Shaft guidance systems, Linear bushing, Standard, Adjustable type, Type LBE..UU AJ, sealed on both sides



Technical specification

DIMENSIONS, MM

d	5,000
D	12,000
B	22,000
F	1.5

WEIGHT 0,008

MANUFACTURER [IKO](#)

INTERCHANGE

ABC	LBE 5 UU AJ
STAR	0612-305-10
SKF	LBAS 5-2LS

CALCULATION DATA

Basic dynamic load rating min	0,091 kN
Basic dynamic load rating max	0,074 kN

CALCULATION DATA

Basic static load rating min	0,213 kN
Basic static load rating max	0,213 kN