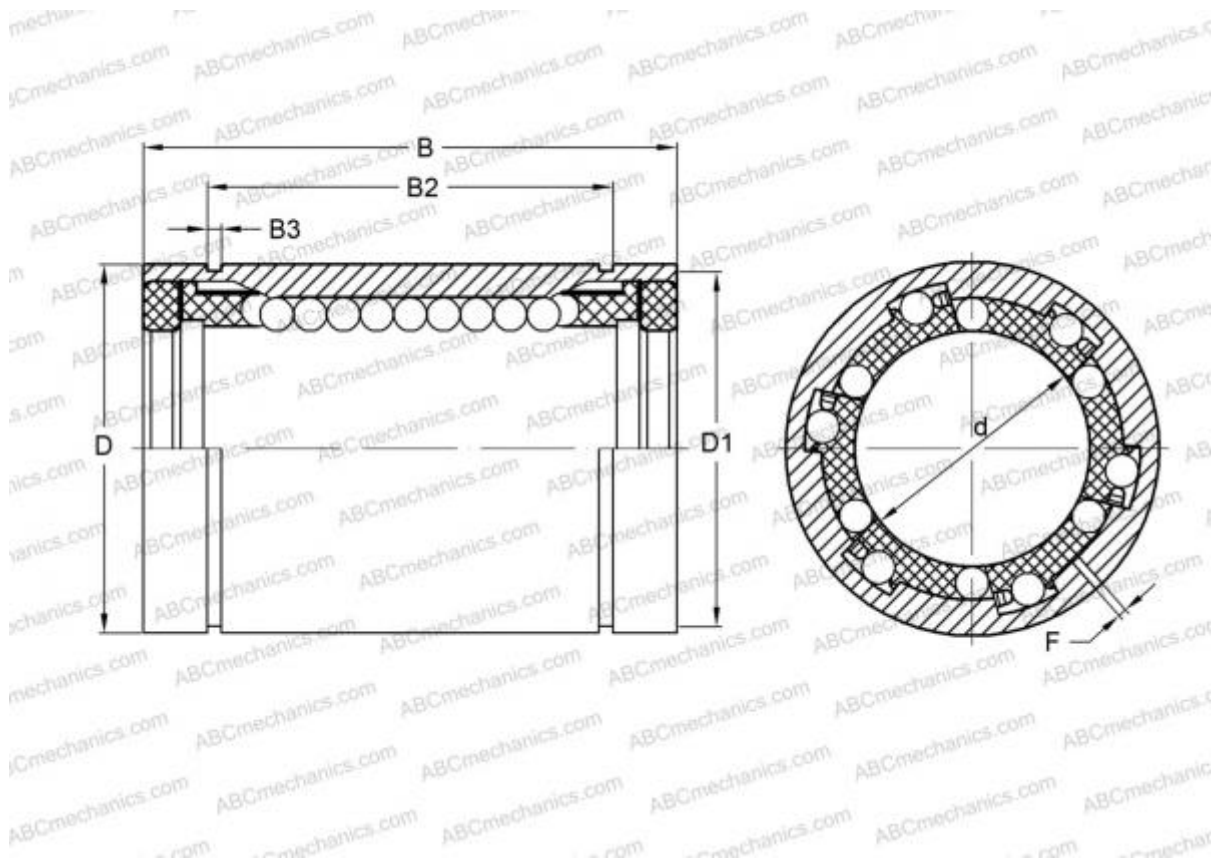


LBE 8 UU AJ IKO

Linear bushing

TYPE: Shaft guidance systems, Linear bushing, Standard, Adjustable type, Type LBE..UU AJ, sealed on both sides



Technical specification

DIMENSIONS, MM

d	8,000
D	16,000
B	25,000
F	1.5

WEIGHT 0,017

MANUFACTURER [IKO](#)

INTERCHANGE

ABC	LBE 8 UU AJ
STAR	0612-308-10
SKF	LBAS 8-2LS
FAG	LAG 8x16x25.2RS

CALCULATION DATA

Basic dynamic load rating min	0,121 kN
-------------------------------	----------

CALCULATION DATA

Basic dynamic load rating max	0,099 kN
Basic static load rating min	0,255 kN
Basic static load rating max	0,255 kN