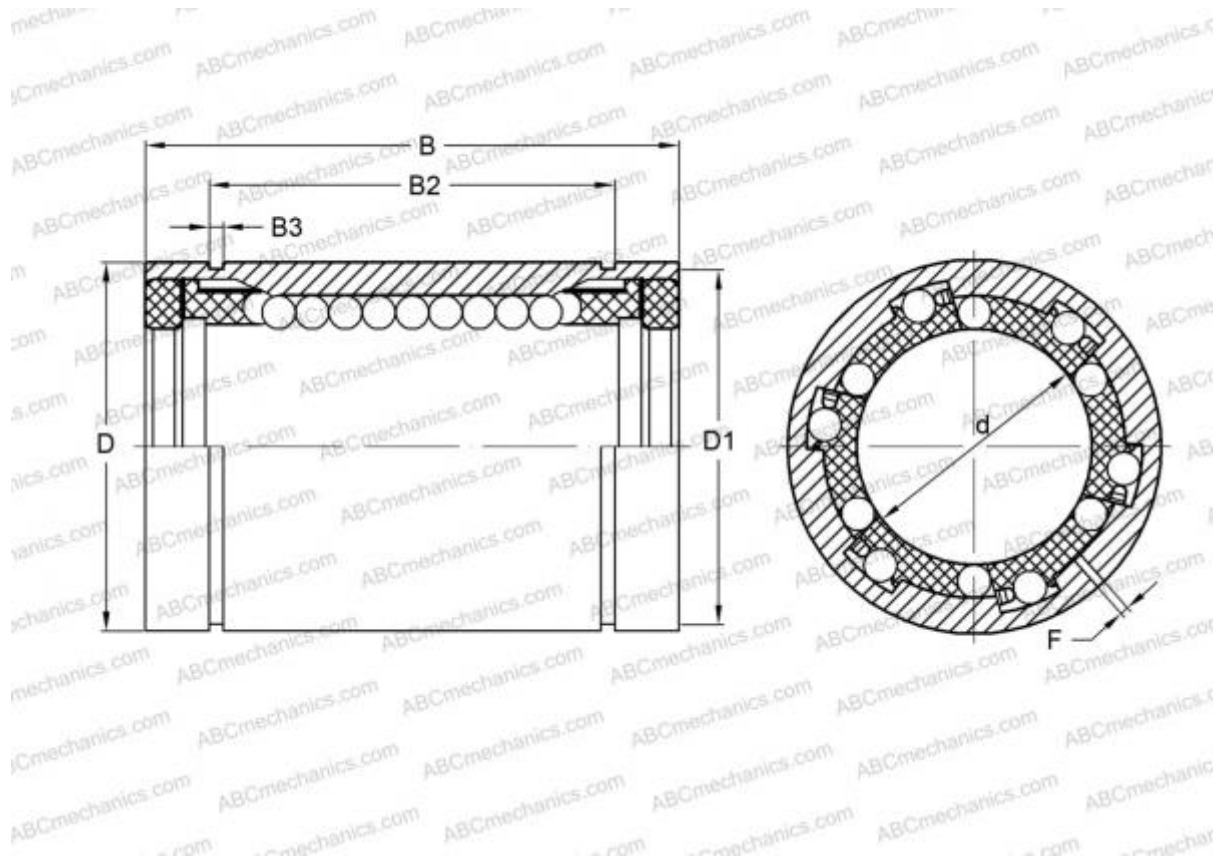


## LAG 8x16x25.2RS FAG

Linear bushing

TYPE: Shaft guidance systems, Linear bushing, Standard, Adjustable type, Type LBE..UU AJ, sealed on both sides



### Technical specification

#### DIMENSIONS, MM

d	8,000
D	16,000
B	25,000
F	1.5

**WEIGHT** 0,017

**MANUFACTURER** [FAG](#)

#### INTERCHANGE

ABC	<a href="#">LBE 8 UU AJ</a>
IKO	<a href="#">LBE 8 UU AJ</a>
STAR	<a href="#">0612-308-10</a>
SKF	<a href="#">LBAS 8-2LS</a>