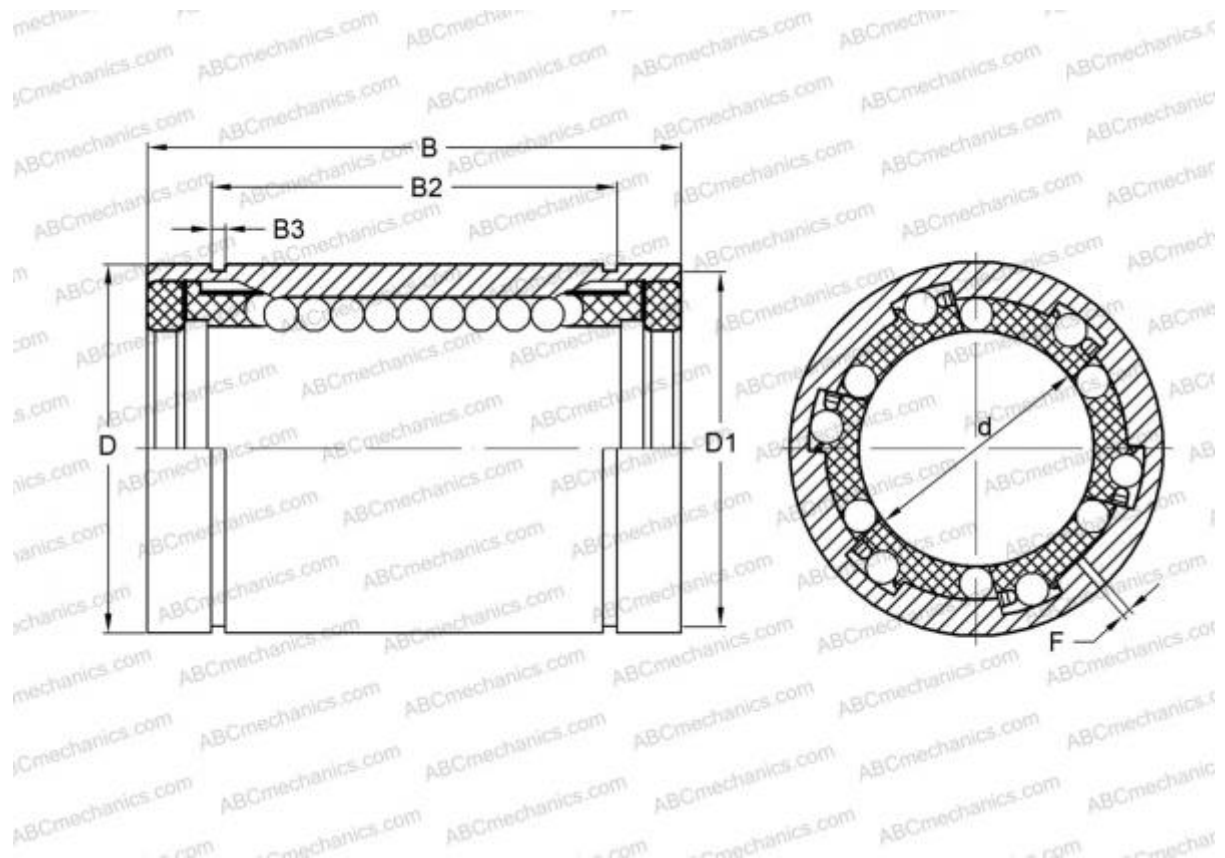


## LBE 12 UU AJ ABC

Linear bushing

TYPE: Shaft guidance systems, Linear bushing, Standard, Adjustable type, Type LBE..UU AJ, sealed on both sides



### Technical specification

#### DIMENSIONS, MM

d	12,000
D	22,000
B	32,000
F	1.5

**WEIGHT, KG** 0,036

**MANUFACTURER** [ABC](#)

#### INTERCHANGE

IKO	<a href="#">LBE 12 UU AJ</a>
STAR	<a href="#">0612-012-10</a>
THOMSON	<a href="#">0612-012-10</a>
INA	<a href="#">KBS12-PP</a>
FAG	<a href="#">LAG 12x22x32.2RS</a>