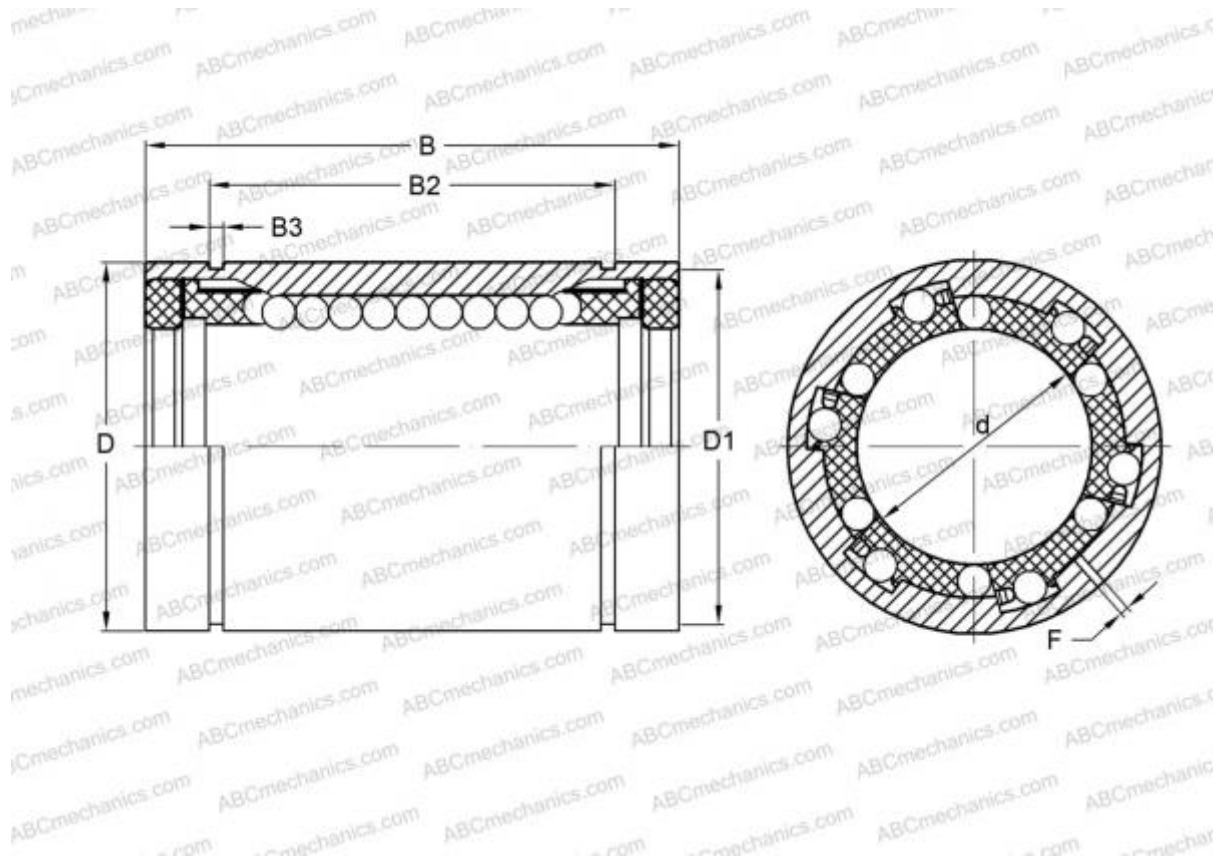


0612-012-10 STAR

Linear bushing

TYPE: Shaft guidance systems, Linear bushing, Standard, Adjustable type, Type LBE..UU AJ, sealed on both sides



Technical specification

DIMENSIONS, MM

d	12,000
D	22,000
B	32,000
F	1.5

WEIGHT, KG 0,036

MANUFACTURER [STAR](#)

INTERCHANGE

ABC	LBE 12 UU AJ
IKO	LBE 12 UU AJ
THOMSON	0612-012-10
INA	KBS12-PP
FAG	LAG 12x22x32.2RS