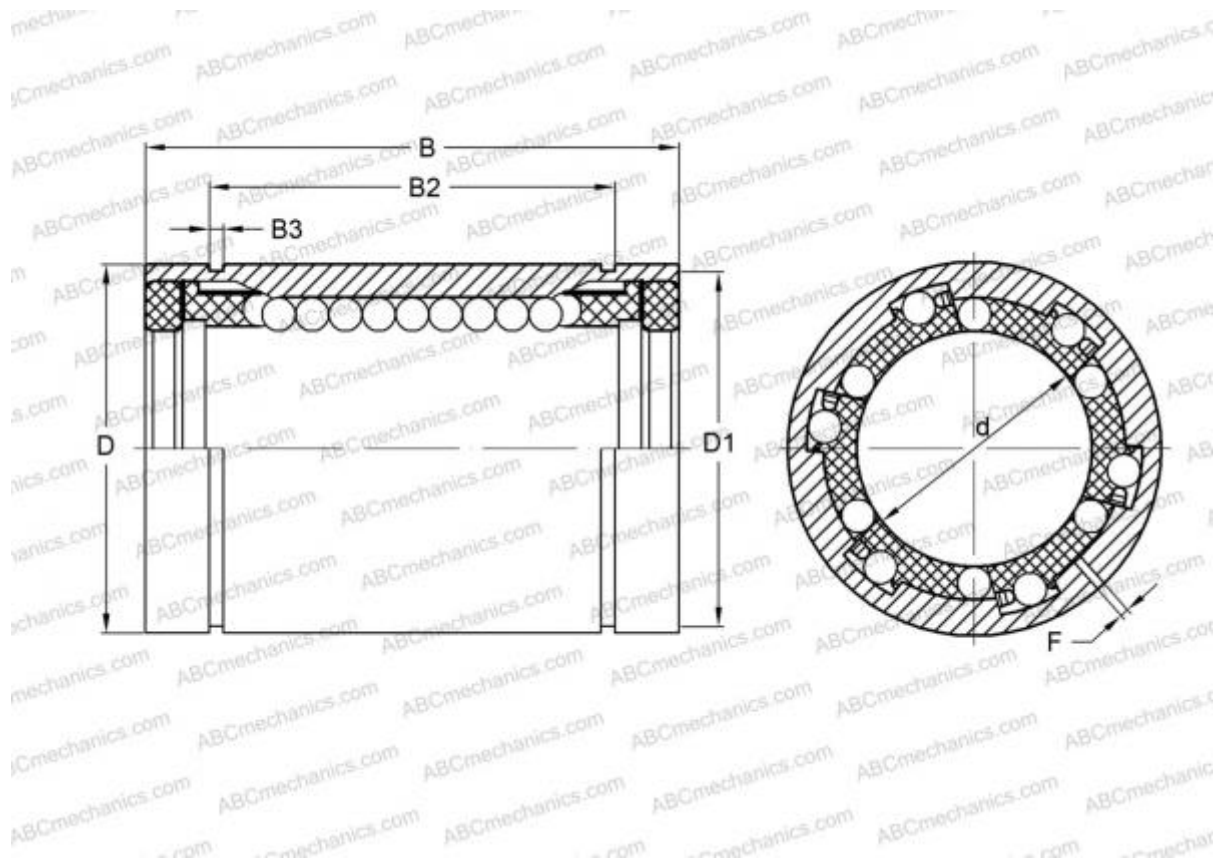


LBE 16 UU AJ IKO

Linear bushing

TYPE: Shaft guidance systems, Linear bushing, Standard, Adjustable type, Type LBE..UU AJ, sealed on both sides



Technical specification

DIMENSIONS, MM

d	16,000
D	26,000
B	36,000
F	1.5

WEIGHT, KG 0,047

MANUFACTURER [IKO](#)

INTERCHANGE

ABC	LBE 16 UU AJ
STAR	0612-016-10
THOMSON	0612-016-10
INA	KBS16-PP
FAG	LAG 16x26x36.2RS

CALCULATION DATA

Basic dynamic load rating min	0,311 kN
Basic dynamic load rating max	0,357 kN
Basic static load rating min	0,587 kN
Basic static load rating max	0,830 kN