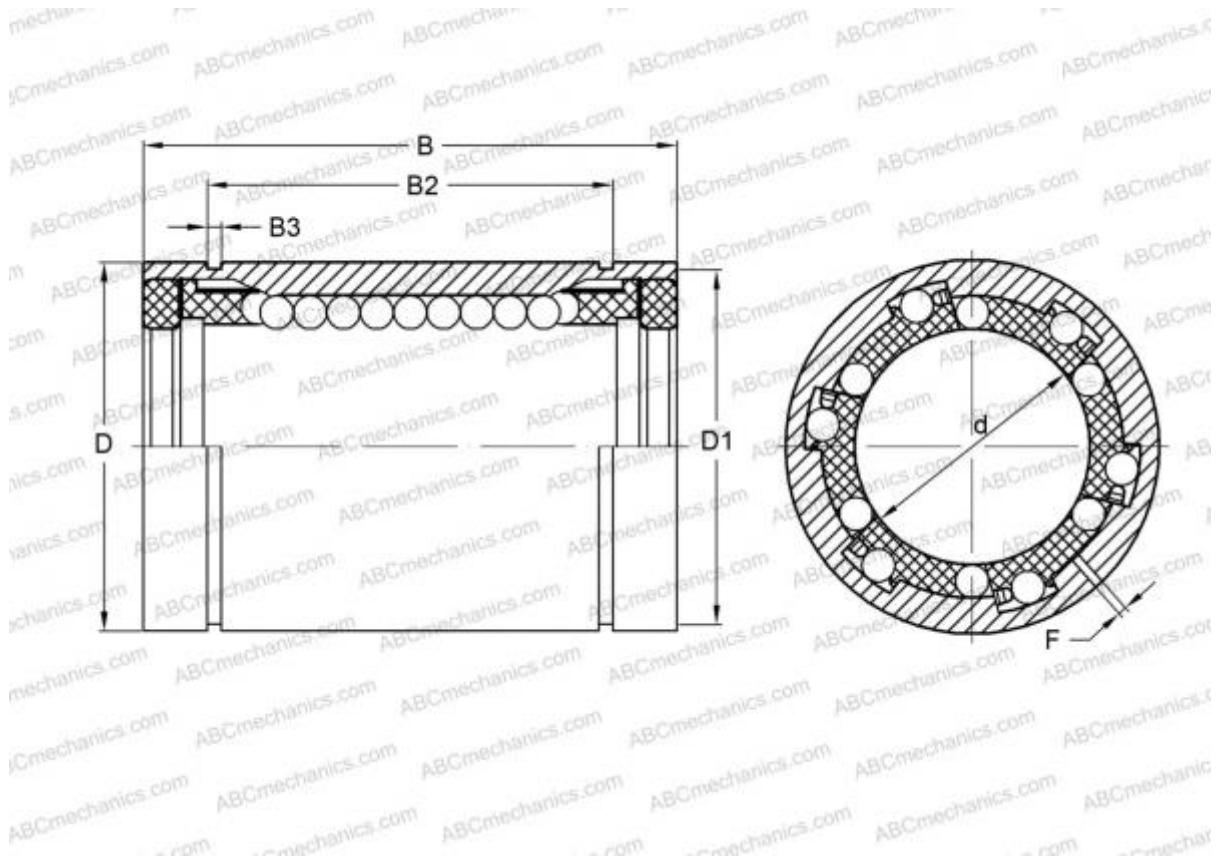


## KBS16-PP INA

Linear bushing

TYPE: Shaft guidance systems, Linear bushing, Standard, Adjustable type, Type LBE..UU AJ, sealed on both sides



### Technical specification

#### DIMENSIONS, MM

d	16,000
D	26,000
B	36,000
F	1.5

**WEIGHT, KG** 0,047

**MANUFACTURER** [INA](#)

#### INTERCHANGE

ABC	<a href="#">LBE 16 UU AJ</a>
IKO	<a href="#">LBE 16 UU AJ</a>
STAR	<a href="#">0612-016-10</a>
THOMSON	<a href="#">0612-016-10</a>
FAG	<a href="#">LAG 16x26x36.2RS</a>