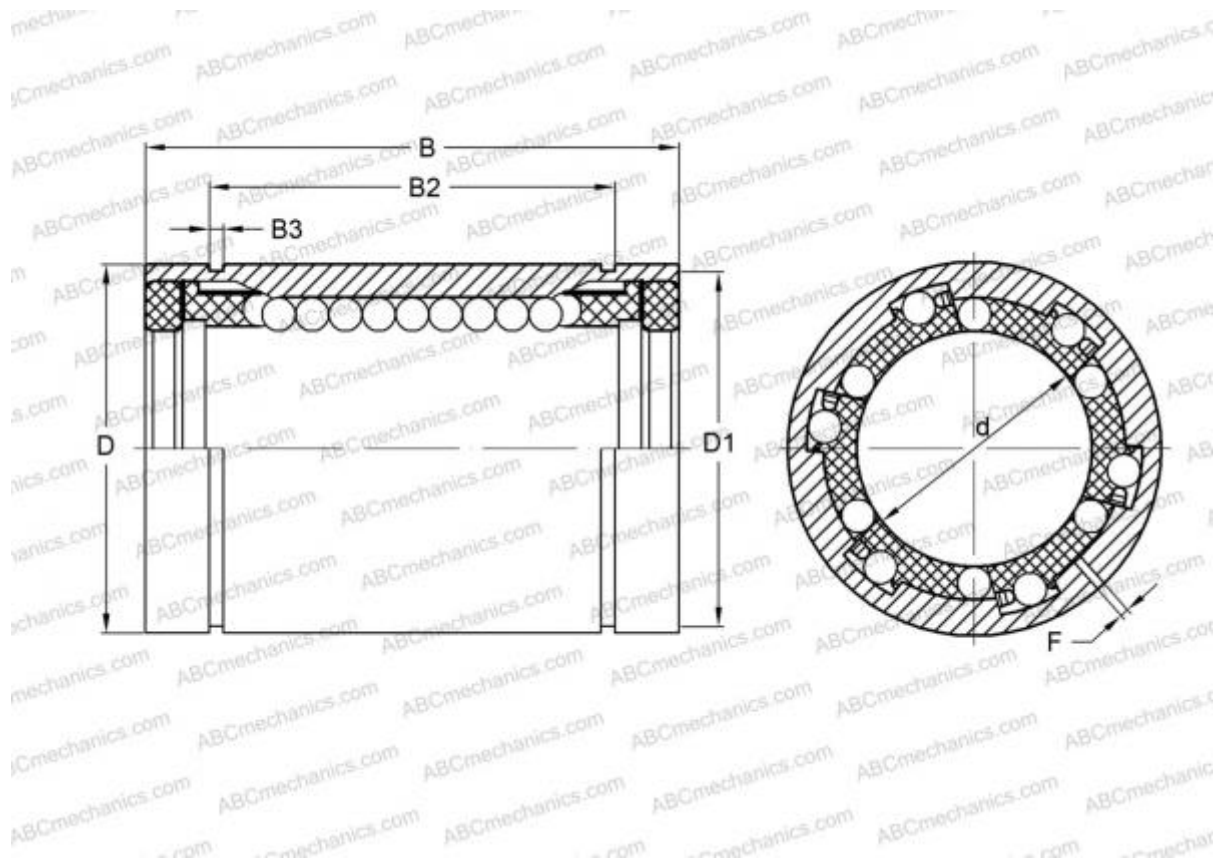


## LBE 20 UU AJ IKO

Linear bushing

TYPE: Shaft guidance systems, Linear bushing, Standard, Adjustable type, Type LBE..UU AJ, sealed on both sides



### Technical specification

#### DIMENSIONS, MM

d	20,000
D	32,000
B	45,000
F	2

**WEIGHT, KG** 0,084

**MANUFACTURER** [IKO](#)

#### INTERCHANGE

ABC	<a href="#">LBE 20 UU AJ</a>
STAR	<a href="#">0612-020-10</a>
THOMSON	<a href="#">0612-020-10</a>
INA	<a href="#">KBS20-PP</a>
FAG	<a href="#">LAG 20x32x45.2RS</a>

#### CALCULATION DATA

Basic dynamic load rating min	0,617 kN
Basic dynamic load rating max	0,734 kN
Basic static load rating min	1,150 kN
Basic static load rating max	1,680 kN