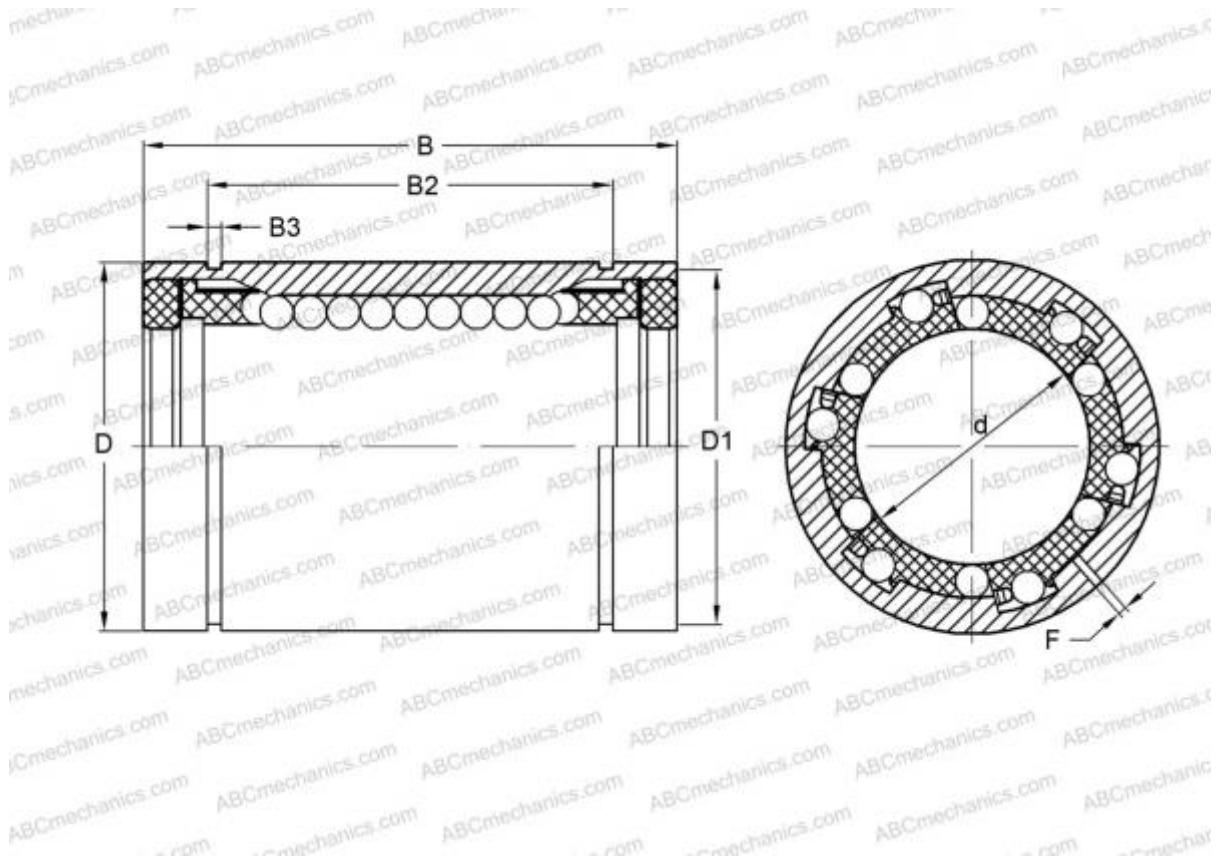


KBS20-PP INA

Linear bushing

TYPE: Shaft guidance systems, Linear bushing, Standard, Adjustable type, Type LBE..UU AJ, sealed on both sides



Technical specification

DIMENSIONS, MM

d	20,000
D	32,000
B	45,000
F	2

WEIGHT, KG 0,084

MANUFACTURER [INA](#)

INTERCHANGE

ABC	LBE 20 UU AJ
IKO	LBE 20 UU AJ
STAR	0612-020-10
THOMSON	0612-020-10
FAG	LAG 20x32x45.2RS