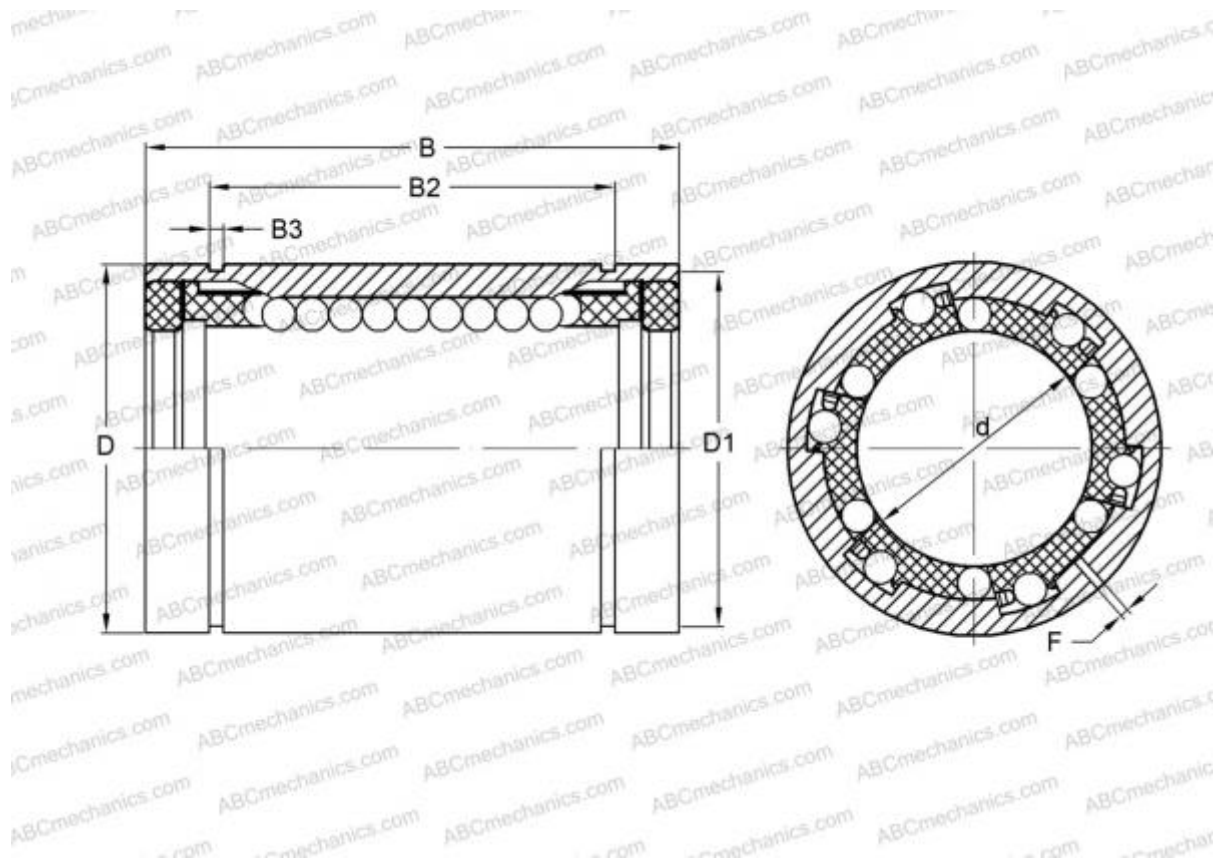


LBE 25 UU AJ IKO

Linear bushing

TYPE: Shaft guidance systems, Linear bushing, Standard, Adjustable type, Type LBE..UU AJ, sealed on both sides



Technical specification

DIMENSIONS, MM

d	25,000
D	40,000
B	58,000
F	2

WEIGHT, KG 0,160

MANUFACTURER [IKO](#)

INTERCHANGE

ABC	LBE 25 UU AJ
STAR	0612-025-10
THOMSON	0612-025-10
INA	KBS25-PP
FAG	LAG 25x40x58.2RS

CALCULATION DATA

Basic dynamic load rating min	1,070 kN
Basic dynamic load rating max	1,270 kN
Basic static load rating min	2,020 kN
Basic static load rating max	2,960 kN