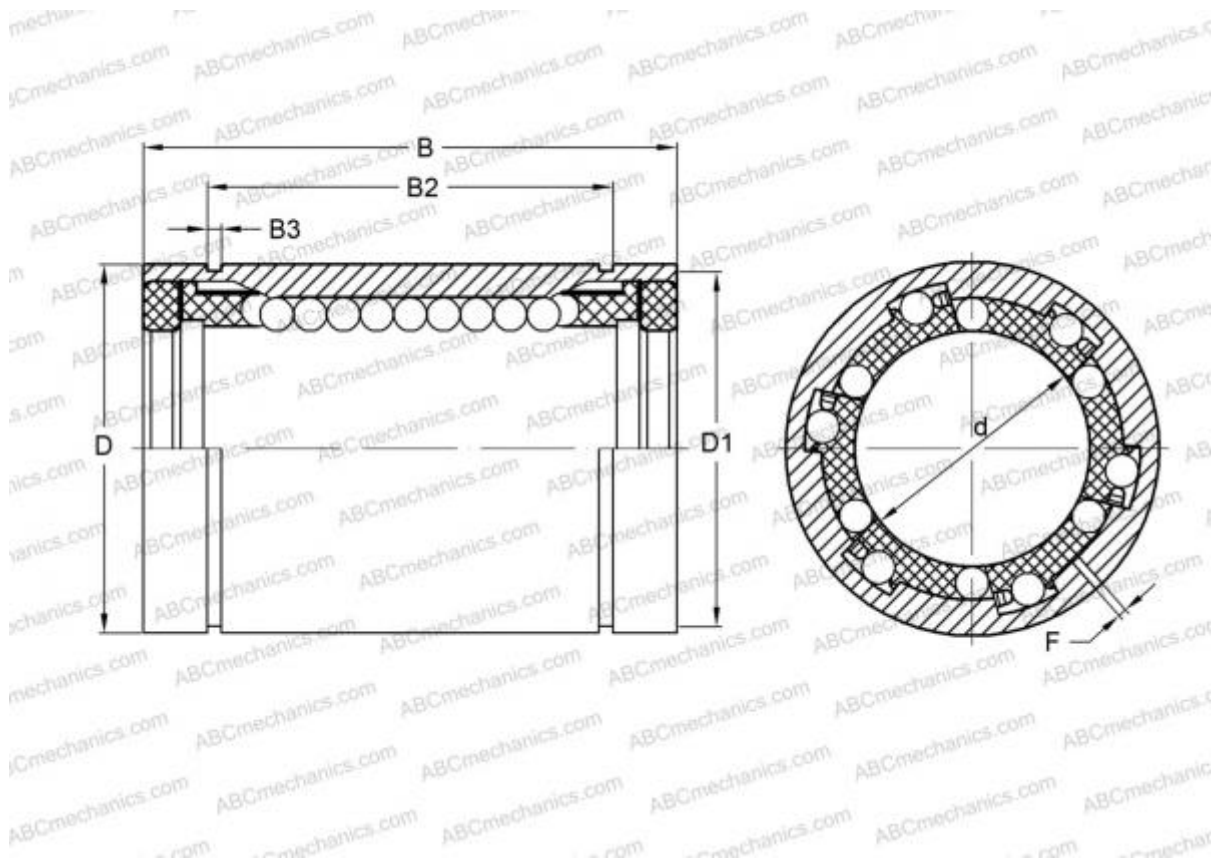


LBE 40 UU AJ IKO

Linear bushing

TYPE: Shaft guidance systems, Linear bushing, Standard, Adjustable type, Type LBE..UU AJ, sealed on both sides



Technical specification

DIMENSIONS, MM

d	40,000
D	62,000
B	80,000
F	2

WEIGHT 0,555

MANUFACTURER [IKO](#)

INTERCHANGE

ABC	LBE 40 UU AJ
STAR	0612-040-10
THOMSON	0612-040-10
INA	KBS40-PP
FAG	LAG 40x62x80.2RS

CALCULATION DATA

Basic dynamic load rating min	2,710 kN
Basic dynamic load rating max	2,870 kN
Basic static load rating min	4,890 kN
Basic static load rating max	6,250 kN