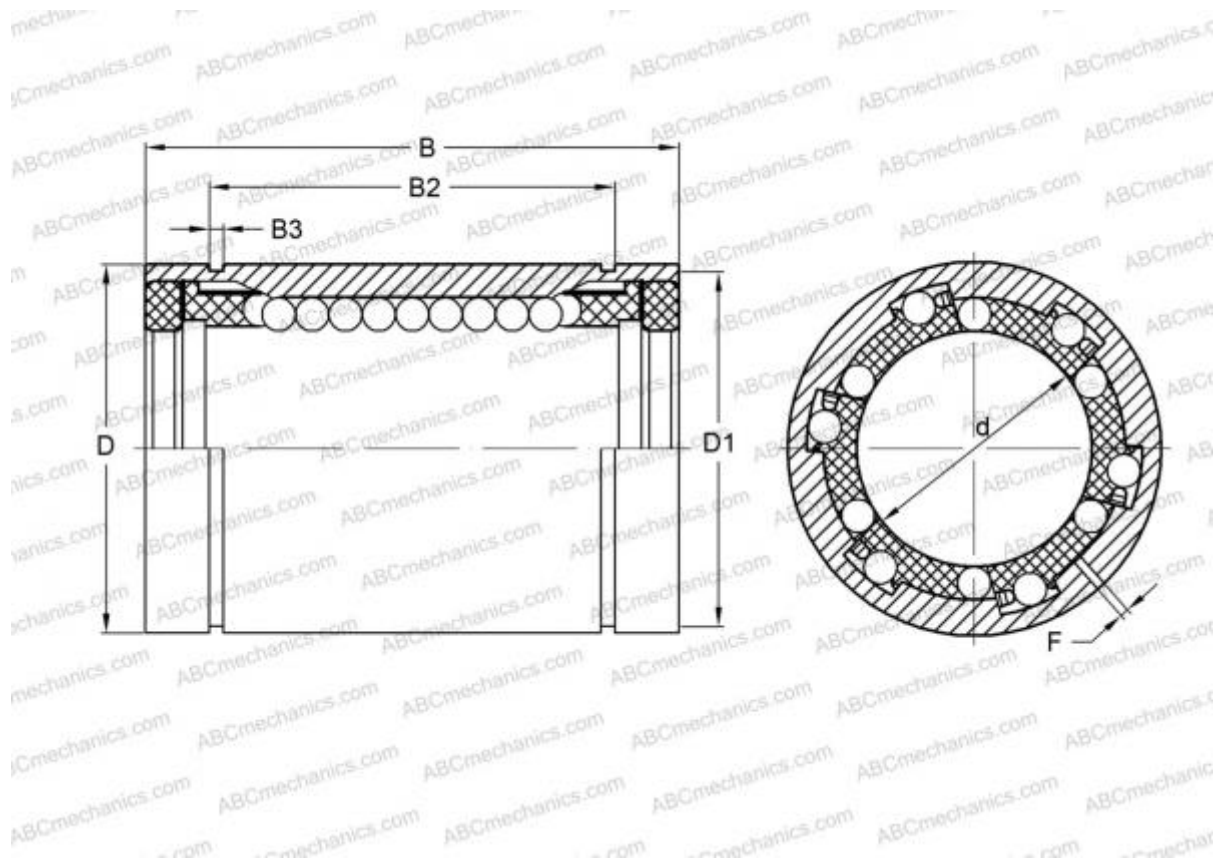


## LBE 50 UU AJ ABC

Linear bushing

TYPE: Shaft guidance systems, Linear bushing, Standard, Adjustable type, Type LBE..UU AJ, sealed on both sides



### Technical specification

#### DIMENSIONS, MM

d	50,000
D	75,000
B	100,000
F	2

**WEIGHT** 0,930

**MANUFACTURER** [ABC](#)

#### INTERCHANGE

IKO	<a href="#">LBE 50 UU AJ</a>
STAR	<a href="#">0612-050-10</a>
THOMSON	<a href="#">0612-050-10</a>
INA	<a href="#">KBS50-PP</a>
FAG	<a href="#">LAG 50x75x100.2RS</a>