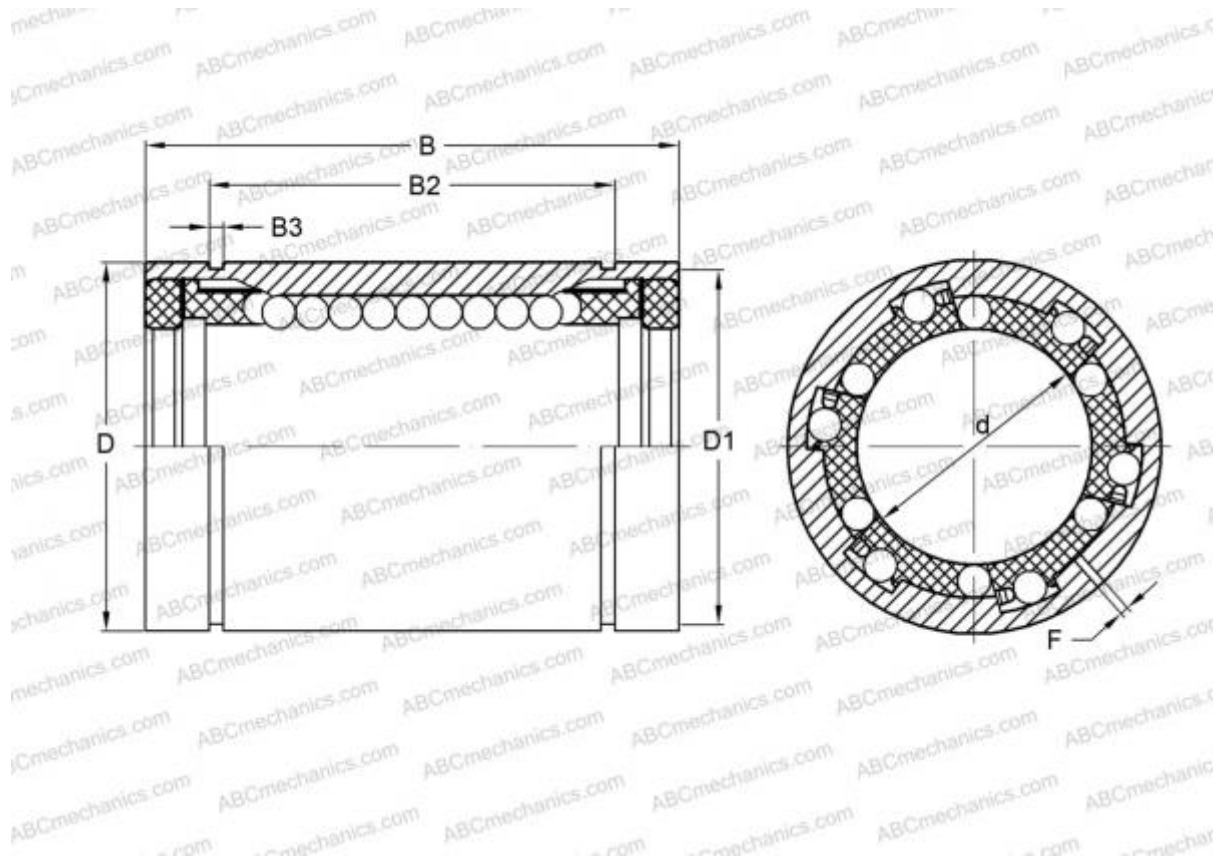


0612-050-10 THOMSON

Linear bushing

TYPE: Shaft guidance systems, Linear bushing, Standard, Adjustable type, Type LBE..UU AJ, sealed on both sides



Technical specification

DIMENSIONS, MM

d	50,000
D	75,000
B	100,000
F	2

WEIGHT 0,930

MANUFACTURER [THOMSON](#)

INTERCHANGE

ABC	LBE 50 UU AJ
IKO	LBE 50 UU AJ
STAR	0612-050-10
INA	KBS50-PP
FAG	LAG 50x75x100.2RS