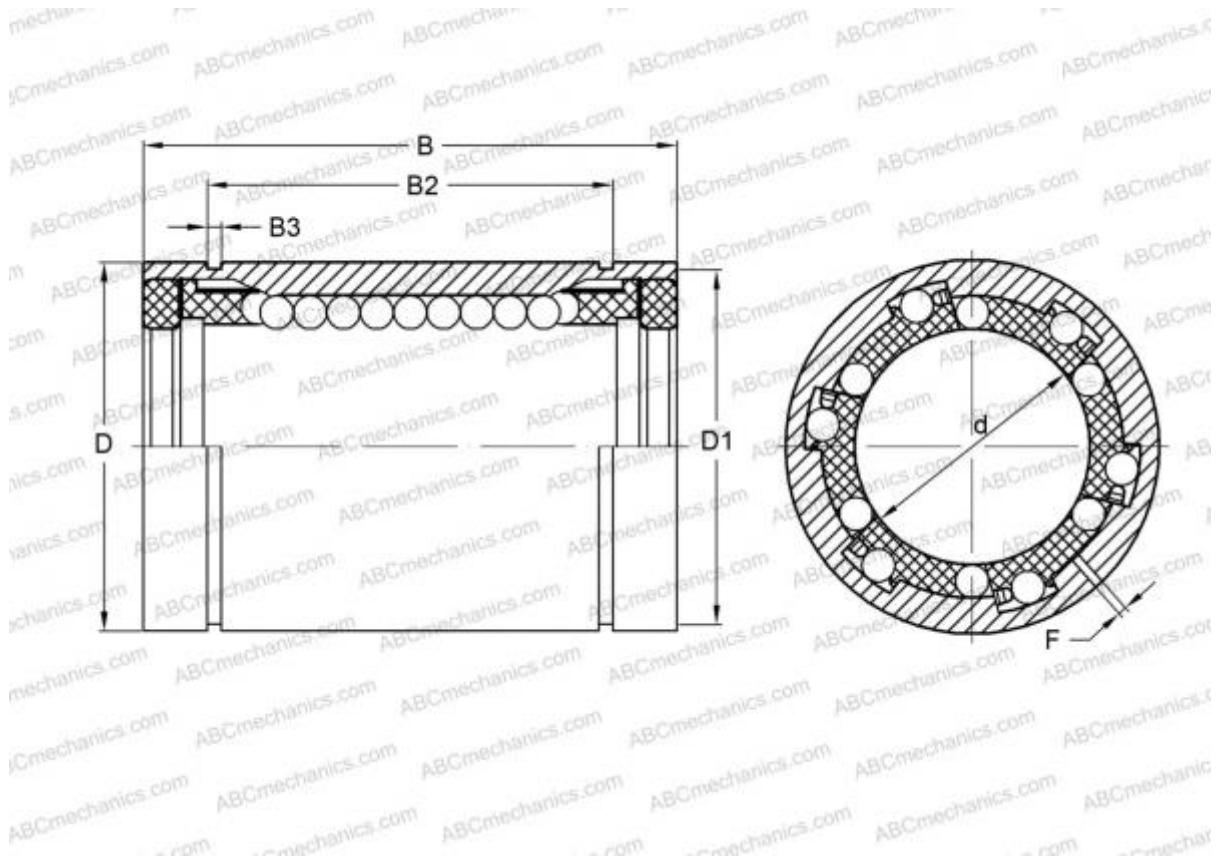


KBS12-PP INA

Linear bushing

TYPE: Shaft guidance systems, Linear bushing, Self aligning, Close type, Type KBS..PP, machined range, sealed on both sides (INA)



Technical specification

DIMENSIONS, MM

d	12,000
D	22,000
B	32,000
D1	21,000
B2	22,600
B3	1,300
F	1

WEIGHT, KG 0,040

MANUFACTURER [INA](#)

REPLACES

KBS 1232 PP