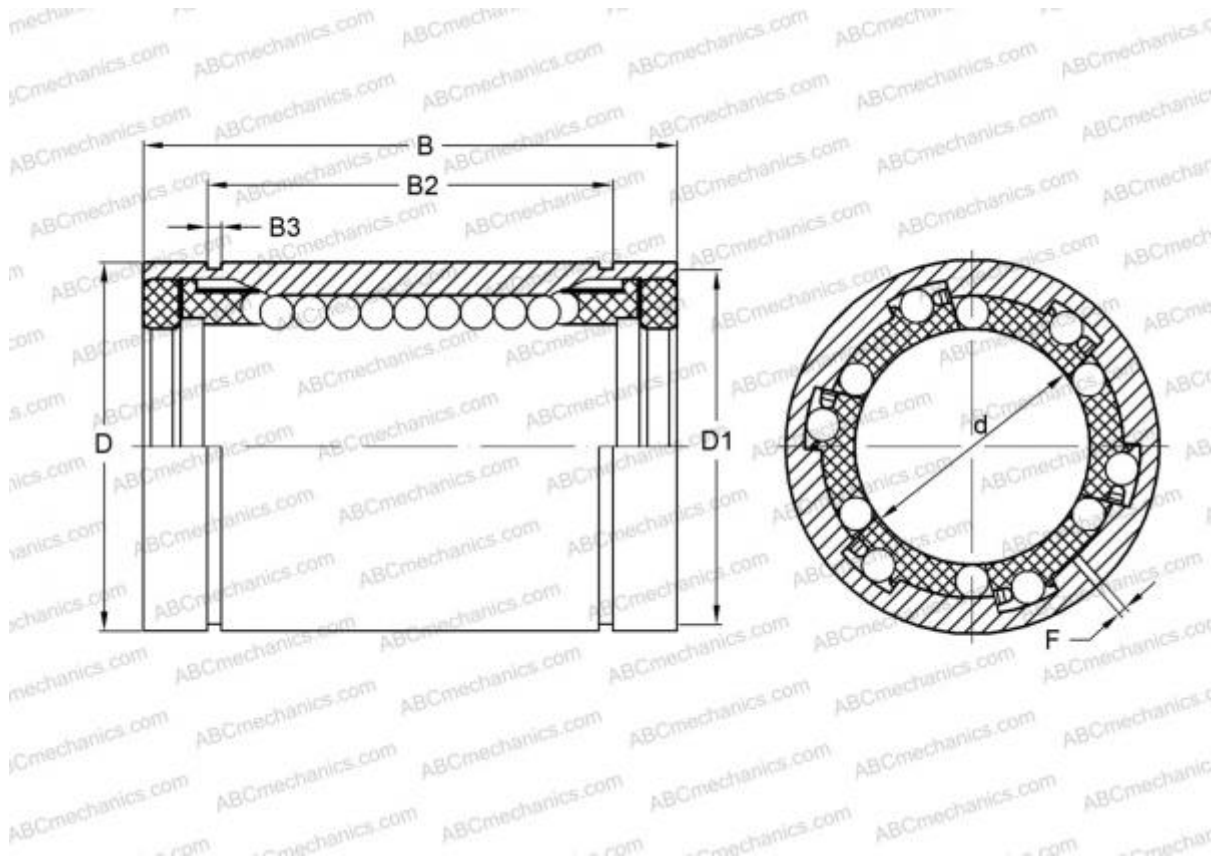


## KBS50-PP INA

Linear bushing

TYPE: Shaft guidance systems, Linear bushing, Self aligning, Close type, Type KBS..PP, machined range, sealed on both sides (INA)



### Technical specification

#### DIMENSIONS, MM

d	50,000
D	75,000
B	100,000
D1	72,000
B2	77,300
B3	2,650
F	1

**WEIGHT, KG** 1,000

**MANUFACTURER** [INA](#)

#### REPLACES

KBS 50100 PP