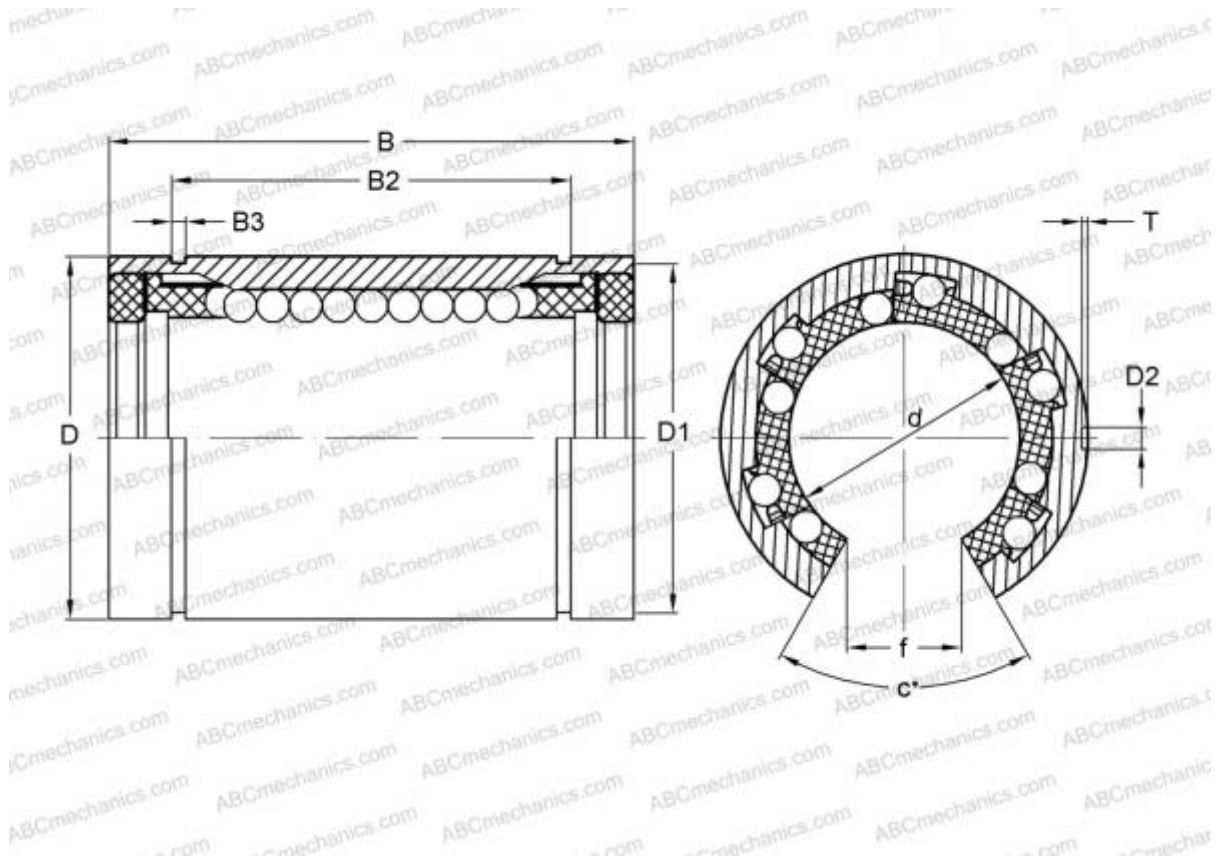


0632-016-00 STAR

Linear bushing

TYPE: Shaft guidance systems, Linear bushing, Standard, Open type for support rail, Type LBE..UU OP, KBO..PP, LBCT..2LS, sealed on both sides



Technical specification

DIMENSIONS, MM

d	16,000
D	26,000
B	36,000
f	10,000
c	78,000

WEIGHT, KG 0,038

MANUFACTURER [STAR](#)

INTERCHANGE

ABC	LBE 16 UU OP
IKO	LBE 16 UU OP
THOMSON	0632-016-00
INA	KBO16-PP
SKF	LBCT 16-2LS

INTERCHANGE

FAG [LAN 16x26x36.2RS](#)