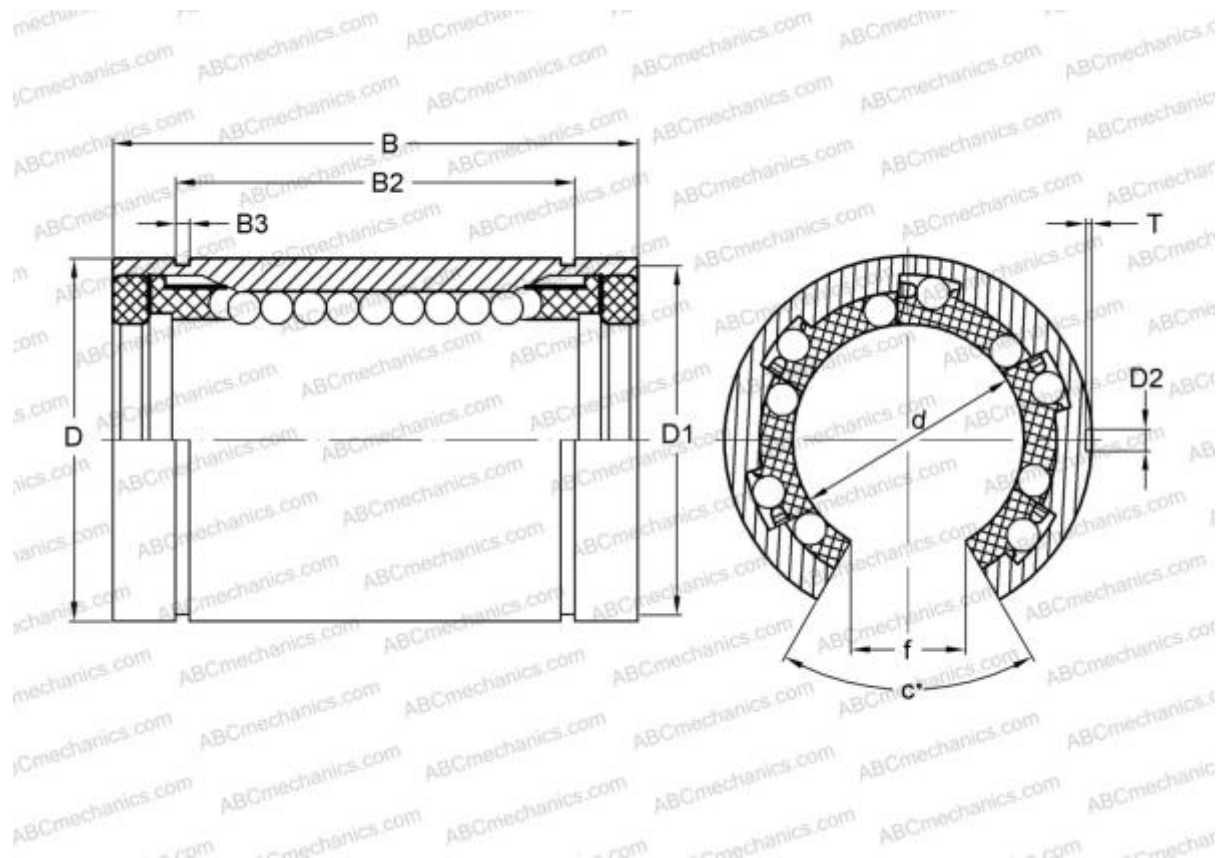


KBO16-PP INA

Linear bushing

TYPE: Shaft guidance systems, Linear bushing, Standard, Open type for support rail, Type LBE..UU OP, KBO..PP, LBCT..2LS, sealed on both sides



Technical specification

DIMENSIONS, MM

d	16,000
D	26,000
B	36,000
D1	24,900
D2	2,200
B2	24,600
B3	1,300
T	1,200
f	10,100
c	78,000

WEIGHT, KG 0,040

MANUFACTURER [INA](http://www.ina.com)

INTERCHANGE

ABC	LBE 16 UU OP
IKO	LBE 16 UU OP
STAR	0632-016-00
THOMSON	0632-016-00
SKF	LBCT 16-2LS
FAG	LAN 16x26x36.2RS

REPLACES

KBO 1636 PP