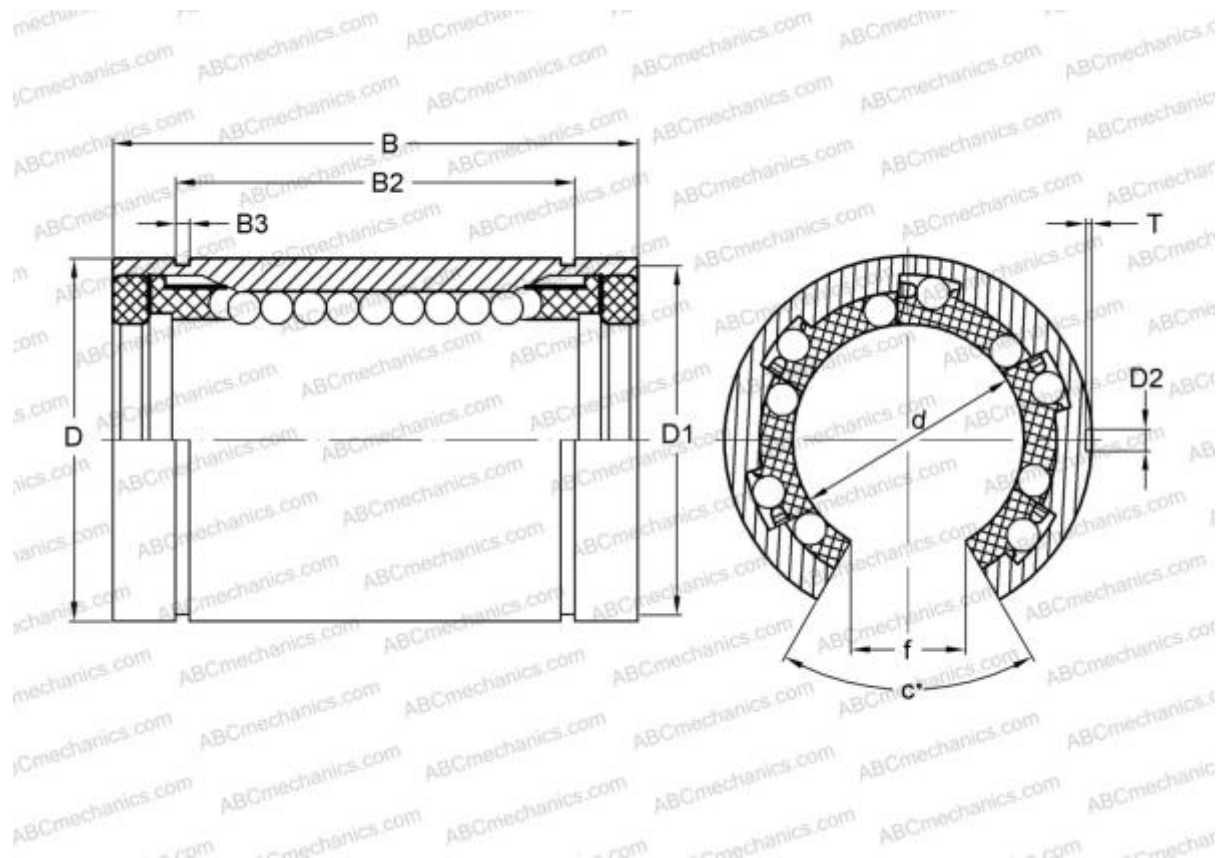


## LBCT 16-2LS SKF

Linear bushing

TYPE: Shaft guidance systems, Linear bushing, Standard, Open type for support rail, Type LBE..UU OP, KBO..PP, LBCT..2LS, sealed on both sides



### Technical specification

#### DIMENSIONS, MM

d	16,000
D	26,000
B	36,000
f	10,000
c	78,000

**WEIGHT, KG** 0,038

**MANUFACTURER** [SKF](#)

#### INTERCHANGE

ABC	<a href="#">LBE 16 UU OP</a>
IKO	<a href="#">LBE 16 UU OP</a>
STAR	<a href="#">0632-016-00</a>
THOMSON	<a href="#">0632-016-00</a>
INA	<a href="#">KBO16-PP</a>

#### INTERCHANGE

FAG [LAN 16x26x36.2RS](#)